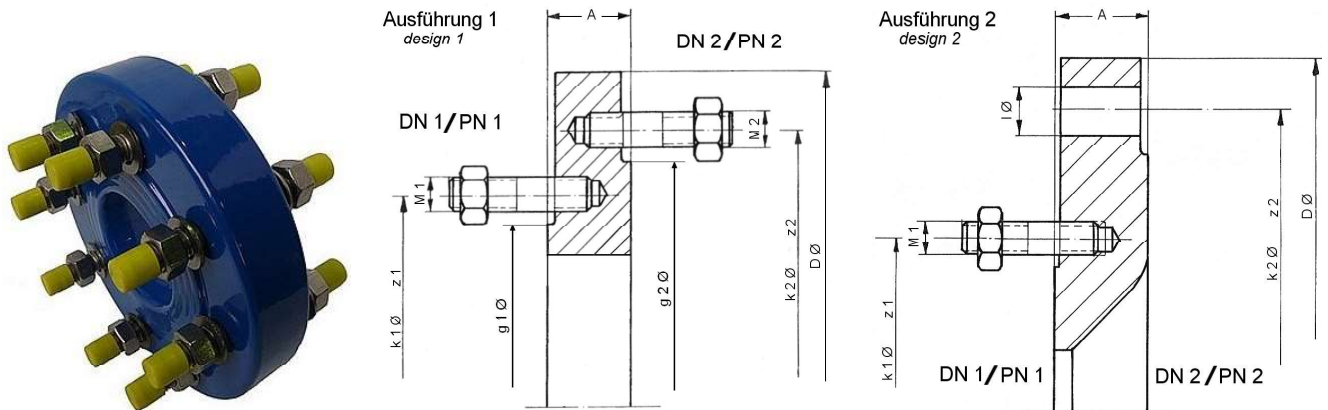


## Reduzierflansch Typ PR

*Reducer type PR*

Bride de réduction type PR



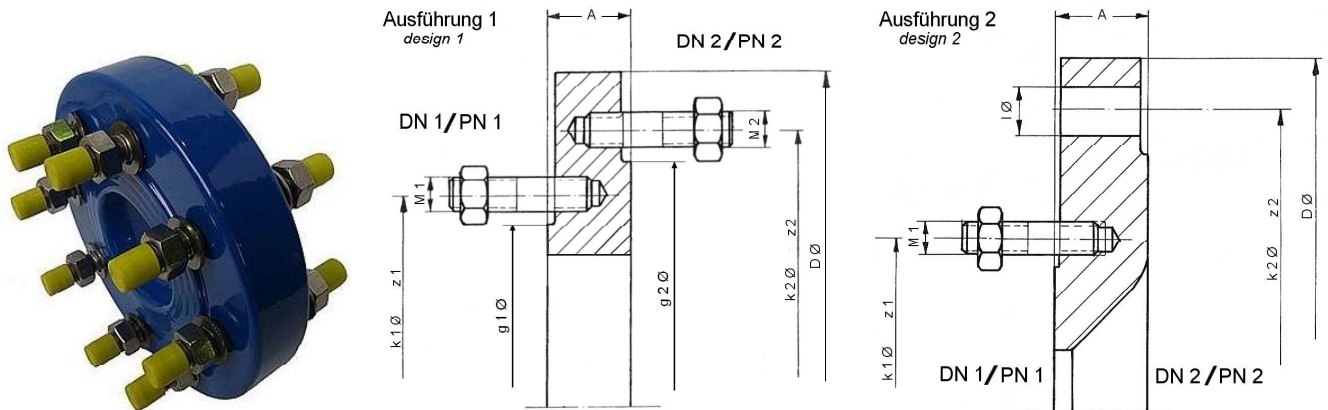
DN1	PN1	DN2	PN2	A	D Ø	k1 Ø	z1	M1	k2 Ø	z2	M2	l Ø	Ausführung	kg
50	10-16	80	10-16	40	200	125	4	M16	160	8	M16	---	1	9
50	10-16	100	10-16	40	220	125	4	M16	180	8	M16	---	1	11
50	10-16	150	10-16	40	285	125	4	M16	240	8	---	23	2	19
65	10-16	80	10-16	45	200	145	4	M16	160	8	M16	---	1	10
65	10-16	100	10-16	40	220	145	4	M16	180	8	M16	---	1	11
65	10-16	150	10-16	40	285	145	4	M16	240	8	M20	---	1	19
80	10-16	100	10-16	45	220	160	8	M16	180	8	M16	---	1	12
80	10-16	125	10-16	40	250	160	8	M16	210	8	M16	---	1	14
80	10-16	150	10-16	40	285	160	8	M16	240	8	M20	---	1	18
100	10-16	125	10-16	45	250	180	8	M16	210	8	M16	---	1	15
100	10-16	150	10-16	40	285	180	8	M16	240	8	M20	---	1	18
100	10-16	200	10	40	340	180	8	M16	295	8	---	23	2	26
100	10-16	200	16	40	340	180	8	M16	295	12	---	22	2	26
125	10-16	150	10-16	50	285	210	8	M16	240	8	M20	---	1	20
125	10-16	200	10	40	340	210	8	M16	295	8	---	23	2	25
125	10-16	200	16	40	340	210	8	M16	295	12	---	22	2	25
125	10-16	250	10	40	395	210	8	M16	350	12	---	23	2	35
125	10-16	250	16	40	405	210	8	M16	355	12	---	26	2	37
150	10-16	200	10	45	340	240	8	M20	295	8	M20	---	1	26
150	10-16	200	16	45	340	240	8	M20	295	12	M20	---	1	26
150	10-16	250	10	45	395	240	8	M20	350	12	---	23	2	37
150	10-16	250	16	45	405	240	8	M20	355	12	---	26	2	39

Technische Änderungen und Irrtümer vorbehalten / technical changes and errors reserve

## Reduzierflansch Typ PR

*Reducer type PR*

Bride de réduction type PR



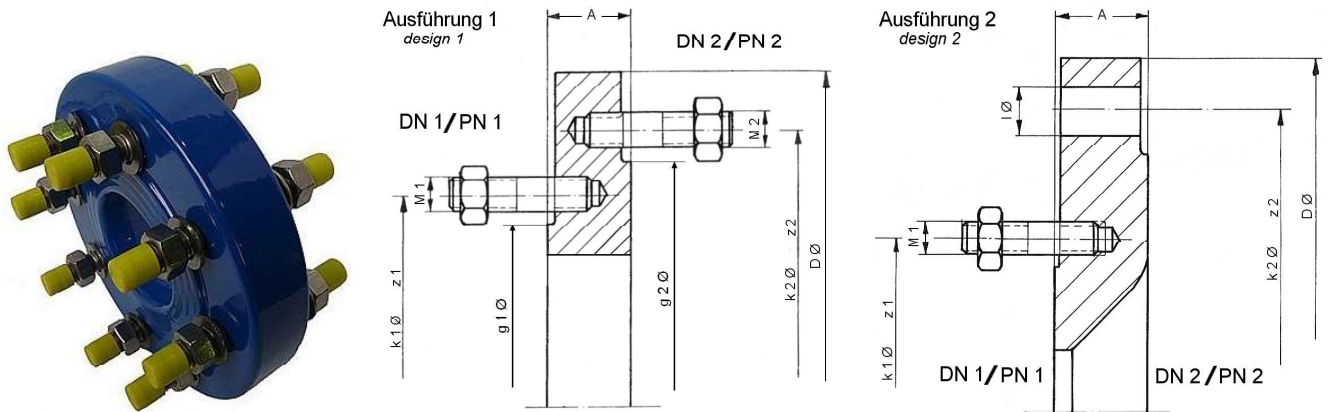
DN1	PN1	DN2	PN2	A	DØ	k1Ø	z1	M1	k2Ø	z2	M2	lØ	Ausführung	kg
150	10-16	300	10	45	445	240	8	M20	400	12	---	23	2	49
150	10-16	300	16	45	460	240	8	M20	410	12	---	27	2	52
200	10	250	10	45	395	295	8	M20	350	12	M20	---	1	32
200	10	300	10	45	445	295	8	M20	400	12	---	23	2	44
200	10	350	10	45	505	295	8	M20	460	16	---	23	2	60
200	16	250	16	55	405	295	12	M20	355	12	M24	---	1	42
200	16	300	16	45	460	295	12	M20	410	12	---	27	2	48
200	16	350	16	45	520	295	12	M20	470	16	---	27	2	64
250	10	300	10	45	445	350	12	M20	400	12	M20	---	1	38
250	10	350	10	45	505	350	12	M20	460	16	---	23	2	53
250	10	400	10	45	565	350	12	M20	515	16	---	27	2	71
250	10	450	10	45	615	350	12	M20	565	20	---	27	2	88
250	16	300	16	45	460	355	12	M24	410	12	M24	---	1	41
250	16	350	16	45	520	355	12	M24	470	16	---	27	2	58
250	16	400	16	45	580	355	12	M24	525	16	---	30	2	76
250	16	450	16	45	640	355	12	M24	585	20	---	30	2	96
300	10	350	10	45	505	400	12	M20	460	16	M20	---	1	46
300	10	400	10	45	565	400	12	M20	515	16	---	27	2	64
300	10	450	10	45	615	400	12	M20	565	20	---	27	2	80
300	10	500	10	45	670	400	12	M20	620	20	---	27	2	100
300	10	600	10	45	780	400	12	M20	725	20	---	30	2	144
300	16	350	16	45	520	410	12	M24	470	16	M24	---	1	50

Technische Änderungen und Irrtümer vorbehalten / technical changes and errors reserve

## Reduzierflansch Typ PR

Reducer type PR

Bride de réduction type PR



DN1	PN1	DN2	PN2	A	Dø	k1ø	z1	M1	k2ø	z2	M2	lø	Ausführung	kg
300	16	400	16	45	580	410	12	M24	525	16	---	30	2	68
300	16	450	16	55	640	410	12	M24	585	20	---	30	2	108
300	16	500	16	55	715	410	12	M24	650	20	---	33	2	143
300	16	600	16	55	840	410	12	M24	770	20	---	36	2	209
350	10	400	10	45	565	460	16	M20	515	16	M24	---	1	55
350	10	450	10	45	615	460	16	M20	565	20	---	27	2	71
350	10	500	10	45	670	460	16	M20	620	20	---	27	2	91
350	10	600	10	45	780	460	16	M20	725	20	---	30	2	135
350	16	400	16	55	580	470	16	M24	525	16	M27	---	1	73
350	16	450	16	55	640	470	16	M24	585	20	---	30	2	97
350	16	500	16	55	715	470	16	M24	650	20	---	33	2	132
350	16	600	16	55	840	470	16	M24	770	20	---	36	2	198
400	10	450	10	60	615	515	16	M24	565	20	M24	---	1	81
400	10	500	10	45	670	515	16	M24	620	20	---	27	2	80
400	10	600	10	50	780	515	16	M24	725	20	---	30	2	138
400	16	450	16	50	640	525	16	M27	585	20	M27	---	1	77
400	16	500	16	50	715	525	16	M27	650	20	---	33	2	108
400	16	600	16	55	840	525	16	M27	770	20	---	36	2	185
450	10	500	10	55	670	565	20	M24	620	20	M24	---	1	84
450	10	600	10	50	780	565	20	M24	725	20	---	30	2	125
500	10	600	10	50	780	620	20	M24	725	20	---	30	2	110

Technische Änderungen und Irrtümer vorbehalten / technical changes and errors reserve