

**We produce following material in our production facility in Kehl-Marlen – Germany**

- Pipe connections in different executions, lockable or not lockable.
- Wall ducts in various executions our types PM1, 2, 3 or 4.
- Insulating flanges, different executions.
- Insulating couplings
- Pipe fittings in different diameters, sizes and working pressures.

**CALCULATION – CONSTRUCTION – PRODUCTION**

- Everything from a single source.
- Production made exclusively in our work in Kehl-Marlen Germany
- With a modern fleet of machinery and equipment.
- Having qualified and motivated staff.

**Reviews / Authorisations**

- According to AD 2000-Guidelines HP 0/TRR 100 in accordance with DIN EN 3834-3

**We produce pipe fittings and pipe connections until DN2200**

According to the relevant DIN-Norms, AD-guidelines or according to customer's specifications:

- made from steel according to DIN EN 10025 z.B. S235; S355 bzw. DIN EN 10217 (P235; P355).
- made from stainless steel as 1.4301 bzw. 1.4541 und 1.4571.

**Pipe fittings or joints, lockable and not lockable**

The great demand in the development of pipeline construction (drinking water or sewage water, etc.) justifies the installation of pipe fittings and joints. They are a indispensable asset when it comes to maintenance and repair of the piping systems.

**Anchors, bolts and nuts can be delivered in:**

- Electro galvanised execution.
- Hot dipped galvanised execution.
- Made of stainless steel A2 und A4

**Gaskets and sealings**

Our pipe fittings are normally equipped with a wedge profile gasket EPDM, which has the drinking water certification according to :

- **DVGW-Arbeitsblatt W270**
- **WRAS BS6920-1:2000**

Upon request we can alternatively deliver the gaskets in following materials :

NBR (Perbunan) for:

- **Sewage water**
- **Oil and oily fluids**
- **Gas (natural gas and biogas )**

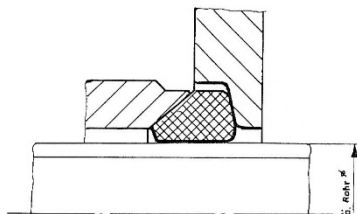
Viton for:

- **High fluid temperatures**
- **Special chemical guidelines**
- **For fluids where EPDM or NBR (Perbunan) are not suitable**

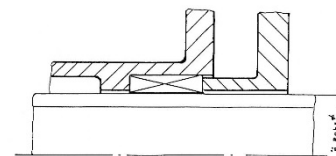
The sizes of the wedge profiles have been decided after managerial consideration.

In case of heavy thermal or chemical exposure, we install a stuffing-box package. The choice of the package depends on the application area of the product.

**Profile sealing**



**Stuffing-box package**



### **Corrosion protection and preparation of the coating process:**

It has always been a special concern to us offering optimum coatings to our customers.

Years ago most parts were hot-dipped galvanised or bitumen coated. Then due to risen environmental standards the coating process had to be reviewed. Therefore we have decided many years ago on the acquisition of a powder coating facility.

The epoxy powder coating with Resicoat R4 is applied by spraying or dipping process, according to DIN 30677 part 2.

The procedure is as follows:

- Blasting of the surface e.g. SA 2,5 DIN 55928 or rust DIN 2.213 rust removal grade 3.
- Warming up of the parts on coating temperature.
- Coating
- Cooling down of the parts

Standard coating thickness: min.250µm

After examination of the coating and the final visual test, the parts can be packed and dispatched immediately. A further drying period is not necessary.

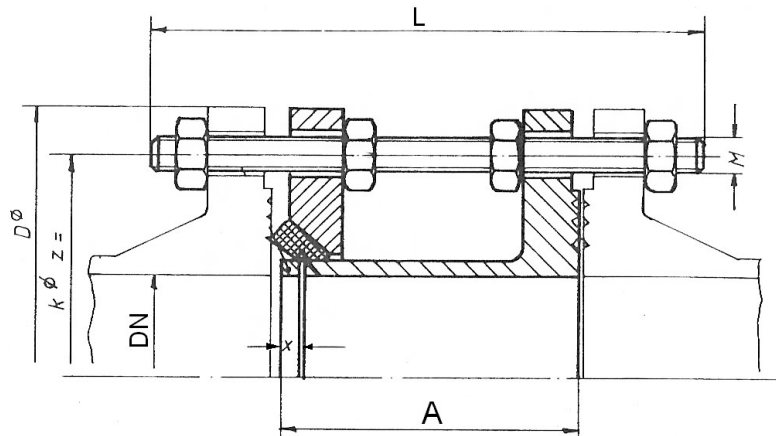
Certificates for drinking water applications :

- DVGW-Arbeitsblatt W270
- WRAS (Water Regulation advisory Scheme)

Our standard coating with Resicoat R4 we can apply in the colours RAL 5005, RAL 5015 oder RAL 3011. Additional colours can be applied upon request.

## Ausbaustück Typ PA, feststellbar

*Dismantling piece type PA, lockable*  
Joint de démontage type PA, autobuté

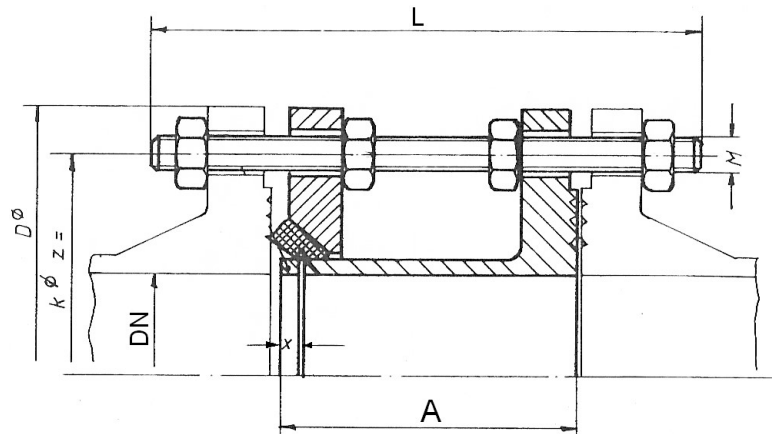


DN	PN 10									Profil
	kg	A	x	Dø	b	L	M	kø	z	
50	6	100	8	165	18	<b>200</b>	16	125	4	P1
65	7,5	100	8	185	18	<b>200</b>	16	145	4	P1
<b>80</b>	<b>11</b>	<b>100</b>	<b>8</b>	<b>200</b>	<b>20</b>	<b>200</b>	<b>16</b>	<b>160</b>	<b>8</b>	<b>P1</b>
100	13	100	8	220	20	<b>200</b>	16	180	8	P2
125	17	100	8	250	22	<b>200</b>	16	210	8	P2
<b>150</b>	<b>20</b>	<b>100</b>	<b>10</b>	<b>285</b>	<b>20</b>	<b>200</b>	<b>20</b>	<b>240</b>	<b>8</b>	<b>P2</b>
<b>200</b>	<b>25</b>	<b>100</b>	<b>10</b>	<b>340</b>	<b>22</b>	<b>200</b>	<b>20</b>	<b>295</b>	<b>8</b>	<b>P2</b>
<b>250</b>	<b>35</b>	<b>110</b>	<b>10</b>	<b>395</b>	<b>24</b>	<b>230</b>	<b>20</b>	<b>350</b>	<b>12</b>	<b>P2</b>
300	46	110	10	445	26	<b>230</b>	20	400	12	P3
350	57	120	10	505	26	<b>240</b>	20	460	16	P3
<b>400</b>	<b>72</b>	<b>120</b>	<b>10</b>	<b>565</b>	<b>26</b>	<b>260</b>	<b>24</b>	<b>515</b>	<b>16</b>	<b>P3</b>
450	80	120	10	615	26	<b>260</b>	24	565	20	P3
<b>500</b>	<b>89</b>	<b>120</b>	<b>10</b>	<b>670</b>	<b>26</b>	<b>260</b>	<b>24</b>	<b>620</b>	<b>20</b>	<b>P3</b>
<b>600</b>	<b>112</b>	<b>120</b>	<b>10</b>	<b>780</b>	<b>28</b>	<b>270</b>	<b>27</b>	<b>725</b>	<b>20</b>	<b>P4</b>
700	155	130	12	895	30	<b>270</b>	27	840	24	P4
<b>800</b>	<b>202</b>	<b>150</b>	<b>12</b>	<b>1015</b>	<b>32</b>	<b>300</b>	<b>30</b>	<b>950</b>	<b>24</b>	<b>P4</b>
900	246	150	12	1115	34	<b>300</b>	30	1050	28	P4
1000	294	150	12	1230	34	<b>310</b>	33	1160	28	P4

Technische Änderungen und Irrtümer vorbehalten / technical changes and errors reserve

## Ausbaustück Typ PA, feststellbar

*Dismantling piece type PA, lockable*  
*Joint de démontage type PA, autobuté*

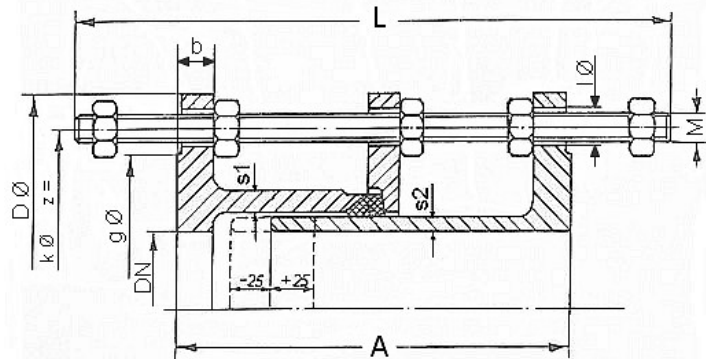


DN	PN 16									Profil
	kg	A	x	Dø	b	L	M	kø	z	
50	6	100	8	165	18	<b>200</b>	16	125	4	P1
65	7,5	100	8	185	18	<b>200</b>	16	145	4	P1
80	9	100	8	200	20	<b>200</b>	16	160	8	P1
100	13	100	8	220	20	<b>200</b>	16	180	8	P2
125	17	100	10	250	22	<b>200</b>	16	210	8	P2
<b>150</b>	<b>20</b>	<b>100</b>	<b>10</b>	<b>285</b>	<b>20</b>	<b>200</b>	<b>20</b>	<b>240</b>	<b>8</b>	<b>P2</b>
200	29	100	10	340	24	<b>200</b>	20	295	12	P2
<b>250</b>	<b>45</b>	<b>120</b>	<b>10</b>	<b>405</b>	<b>26</b>	<b>240</b>	<b>24</b>	<b>355</b>	<b>12</b>	<b>P2</b>
<b>300</b>	<b>53</b>	<b>120</b>	<b>10</b>	<b>460</b>	<b>28</b>	<b>260</b>	<b>24</b>	<b>410</b>	<b>12</b>	<b>P3</b>
350	77	130	10	520	30	<b>270</b>	24	470	16	P3
400	98	130	10	580	32	<b>280</b>	27	525	16	P3
<b>450</b>	<b>108</b>	<b>130</b>	<b>10</b>	<b>640</b>	<b>32</b>	<b>280</b>	<b>27</b>	<b>585</b>	<b>20</b>	<b>P3</b>
500	156	150	10	715	34	<b>310</b>	30	650	20	P3
<b>600</b>	<b>200</b>	<b>150</b>	<b>10</b>	<b>840</b>	<b>36</b>	<b>330</b>	<b>33</b>	<b>770</b>	<b>20</b>	<b>P4</b>
700	236	160	12	910	36	<b>330</b>	33	840	24	P4
800	304	175	12	1025	38	<b>350</b>	36	950	24	P4
900	350	175	12	1125	40	<b>360</b>	36	1050	28	P4
1000	462	175	12	1255	42	<b>370</b>	39	1170	28	P4

Technische Änderungen und Irrtümer vorbehalten / technical changes and errors reserve

## Ausbaustück Typ PO, feststellbar

*Dismantling piece type PO, lockable*  
 Joint de démontage type PO, autobuté

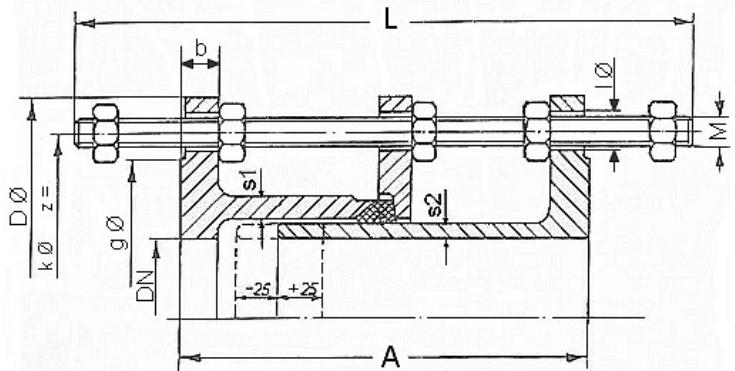


DN	PN 10								Profil
	kg	A	DØ	b	L	M	kØ	z	
50	11	180	165	18	310	16	125	4	P 1
65	12	180	185	18	310	16	145	4	P 1
80	17	200	200	20	330	16	160	8	P 1
100	20	200	220	20	330	16	180	8	P 2
125	25	200	250	22	330	16	210	8	P 2
150	33	200	285	22	340	20	240	8	P 2
200	42	220	340	24	360	20	295	8	P 2
250	60	220	395	26	360	20	350	12	P 2
300	66	220	445	26	380	20	400	12	P 3
350	91	230	505	26	380	20	460	16	P 3
400	115	230	565	26	410	24	515	16	P 3
450	134	250	615	26	430	24	565	20	P 3
500	148	260	670	28	430	24	620	20	P 3
600	194	260	780	28	450	27	725	20	P 4
700	252	260	895	30	450	27	840	24	P 4
800	328	290	1015	32	480	30	950	24	P 4
900	382	290	1115	34	480	30	1050	28	P 4
1000	466	290	1230	34	500	33	1160	28	P 4
1100	545	300	1340	36	520	33	1270	32	P 4
1200	698	320	1455	38	545	36	1380	32	P 5
1300	831	340	1575	38	570	39	1490	32	P 5
1400	962	360	1675	42	590	39	1590	36	P 5
1500	1135	380	1785	44	615	39	1700	36	P 5
1600	1388	390	1915	46	645	45	1820	40	P 5
1800	1711	410	2115	50	680	45	2020	44	P 6

Technische Änderungen und Irrtümer vorbehalten / technical changes and errors reserve

## Ausbaustück Typ PO, feststellbar

*Dismantling piece type PO, lockable*  
Joint de démontage type PO, autobuté

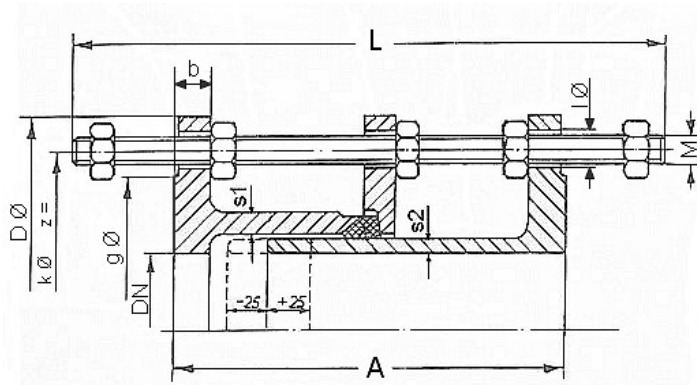


DN	PN 16								Profil
	kg	A	D∅	b	L	M	k∅	z	
50	10	180	165	18	310	16	125	4	P 1
65	12	180	185	18	310	16	145	4	P 1
80	17	200	200	20	330	16	160	8	P 1
100	20	200	220	20	330	16	180	8	P 2
125	25	200	250	22	330	16	210	8	P 2
150	33	200	285	22	340	20	240	8	P 2
200	46	220	340	24	360	20	295	12	P 2
250	75	230	405	26	390	24	355	12	P 2
300	83	250	460	28	410	24	410	12	P 3
350	118	260	520	30	430	24	470	16	P 3
400	145	270	580	32	450	27	525	16	P 3
450	175	270	640	32	450	27	585	20	P 3
500	229	280	715	34	480	30	650	20	P 3
600	315	300	840	36	510	33	770	20	P 4
700	344	300	910	36	510	33	840	24	P 4
800	415	320	1025	38	530	36	950	24	P 4
900	509	320	1125	40	545	36	1050	28	P 4
1000	649	340	1255	42	570	39	1170	28	P 4
1100	785	340	1355	44	595	39	1270	32	P 4
1200	1037	360	1485	48	630	45	1390	32	P 5
1300	1115	370	1585	52	650	45	1490	32	P 5
1400	1202	380	1685	52	660	45	1590	36	P 5
1500	1525	400	1820	52	695	52	1710	36	P 5
1600	1791	420	1930	58	720	52	1820	40	P 5
1800	2118	420	2130	62	730	52	2020	44	P 6

Technische Änderungen und Irrtümer vorbehalten / technical changes and errors reserve

## Ausbaustück Typ PO, feststellbar

*Dismantling piece type PO, lockable*  
 Joint de démontage type PO, autobuté

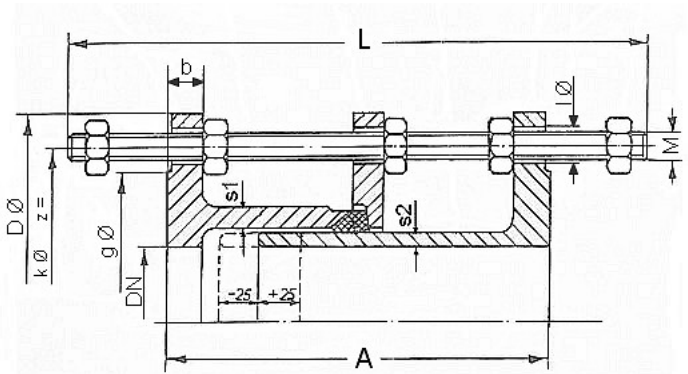


DN	PN 25								Profil
	kg	A	Dø	b	L	M	kø	z	
50	12	200	165	20	330	16	125	4	P 1
<b>65</b>	<b>17</b>	<b>200</b>	<b>185</b>	<b>22</b>	<b>330</b>	<b>16</b>	<b>145</b>	<b>8</b>	<b>P 1</b>
80	20	210	200	24	330	16	160	8	P 1
<b>100</b>	<b>29</b>	<b>220</b>	<b>235</b>	<b>24</b>	<b>360</b>	<b>20</b>	<b>190</b>	<b>8</b>	<b>P 2</b>
125	39	220	270	26	370	24	220	8	P 2
<b>150</b>	<b>50</b>	<b>230</b>	<b>300</b>	<b>28</b>	<b>390</b>	<b>24</b>	<b>250</b>	<b>8</b>	<b>P 2</b>
<b>200</b>	<b>71</b>	<b>230</b>	<b>360</b>	<b>30</b>	<b>390</b>	<b>24</b>	<b>310</b>	<b>12</b>	<b>P 2</b>
250	102	250	425	32	410	27	370	12	P 2
<b>300</b>	<b>123</b>	<b>250</b>	<b>485</b>	<b>34</b>	<b>410</b>	<b>27</b>	<b>430</b>	<b>16</b>	<b>P 3</b>
350	181	270	555	38	500	30	490	16	P 3
<b>400</b>	<b>228</b>	<b>280</b>	<b>620</b>	<b>40</b>	<b>500</b>	<b>33</b>	<b>550</b>	<b>16</b>	<b>P 3</b>
450	280	280	670	42	500	33	600	20	P 3
<b>500</b>	<b>305</b>	<b>300</b>	<b>730</b>	<b>44</b>	<b>510</b>	<b>33</b>	<b>660</b>	<b>20</b>	<b>P 3</b>
<b>600</b>	<b>406</b>	<b>320</b>	<b>845</b>	<b>46</b>	<b>545</b>	<b>36</b>	<b>770</b>	<b>20</b>	<b>P 4</b>
700	556	340	960	46	570	39	875	24	P 4
800	755	360	1085	50	620	45	990	24	P 4
<b>900</b>	<b>865</b>	<b>380</b>	<b>1185</b>	<b>54</b>	<b>630</b>	<b>45</b>	<b>1090</b>	<b>28</b>	<b>P 4</b>
<b>1000</b>	<b>1205</b>	<b>400</b>	<b>1320</b>	<b>58</b>	<b>680</b>	<b>52</b>	<b>1210</b>	<b>28</b>	<b>P 4</b>
1200	1612	450	1530	64	760	52	1420	32	P 5

Technische Änderungen und Irrtümer vorbehalten / technical changes and errors reserve

## Ausbaustück Typ PO, feststellbar

*Dismantling piece type PO, lockable*  
 Joint de démontage type PO, autobuté



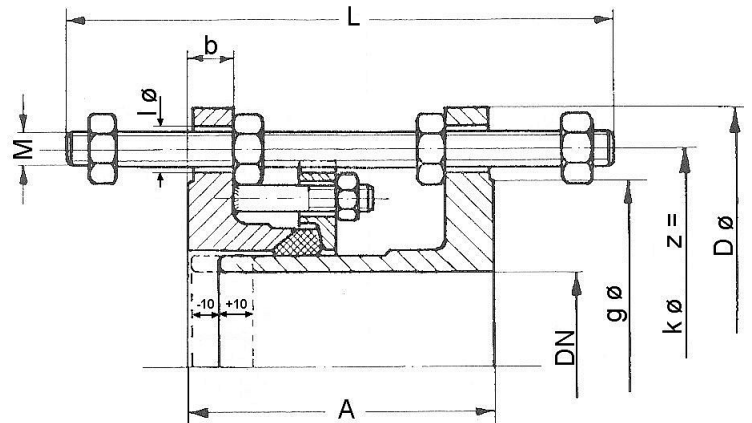
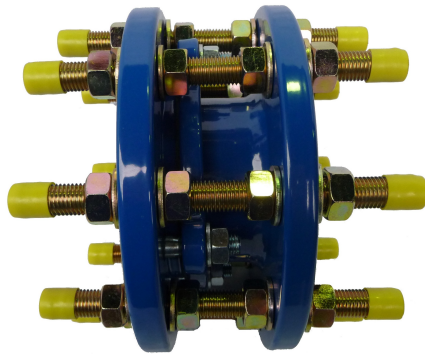
DN	PN 40								Profil
	kg	A	Dø	b	L	M	kø	z	
50	12	200	165	20	330	16	125	4	P 1
<b>65</b>	<b>17</b>	<b>200</b>	<b>185</b>	<b>22</b>	<b>330</b>	<b>16</b>	<b>145</b>	<b>8</b>	<b>P 1</b>
80	20	210	200	24	<b>330</b>	16	160	8	P 1
<b>100</b>	<b>29</b>	<b>220</b>	<b>235</b>	<b>24</b>	<b>360</b>	<b>20</b>	<b>190</b>	<b>8</b>	<b>P 2</b>
125	39	220	270	26	<b>370</b>	24	220	8	P 2
<b>150</b>	<b>50</b>	<b>230</b>	<b>300</b>	<b>28</b>	<b>390</b>	<b>24</b>	<b>250</b>	<b>8</b>	<b>P 2</b>
<b>200</b>	<b>89</b>	<b>240</b>	<b>375</b>	<b>34</b>	<b>410</b>	<b>27</b>	<b>320</b>	<b>12</b>	<b>P 2</b>
<b>250</b>	<b>134</b>	<b>260</b>	<b>450</b>	<b>38</b>	<b>480</b>	<b>30</b>	<b>385</b>	<b>12</b>	<b>P 2</b>
300	180	280	515	42	480	30	450	16	P 3
<b>350</b>	<b>247</b>	<b>290</b>	<b>580</b>	<b>46</b>	<b>500</b>	<b>33</b>	<b>510</b>	<b>16</b>	<b>P 3</b>
<b>400</b>	<b>332</b>	<b>340</b>	<b>660</b>	<b>50</b>	<b>560</b>	<b>36</b>	<b>585</b>	<b>16</b>	<b>P 3</b>
450	365	340	685	52	560	36	610	20	P 3
<b>500</b>	<b>453</b>	<b>380</b>	<b>755</b>	<b>52</b>	<b>625</b>	<b>39</b>	<b>670</b>	<b>20</b>	<b>P 3</b>
<b>600</b>	<b>673</b>	<b>390</b>	<b>890</b>	<b>60</b>	<b>660</b>	<b>45</b>	<b>795</b>	<b>20</b>	<b>P 4</b>
700	824	420	995	64	680	45	900	24	P 4
<b>800</b>	<b>1233</b>	<b>460</b>	<b>1140</b>	<b>72</b>	<b>770</b>	<b>52</b>	<b>1030</b>	<b>24</b>	<b>P 4</b>
900	1490	480	1250	76	820	52	1140	28	P 4
1000	1800	500	1360	80	830	52	1250	28	P 4
1200	2295	520	1575	88	900	56	1460	32	P 5

Technische Änderungen und Irrtümer vorbehalten / technical changes and errors reserve



## Ausbaustück Typ POK, feststellbar

*Dismantling piece type POK, lockable*  
 Joint de démontage type POK, autobuté

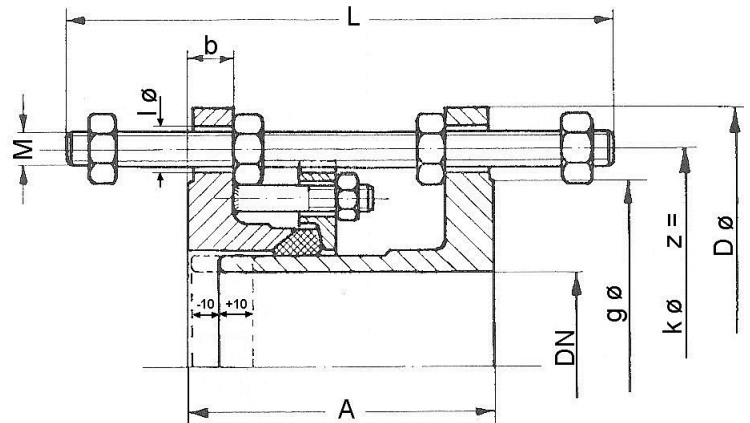
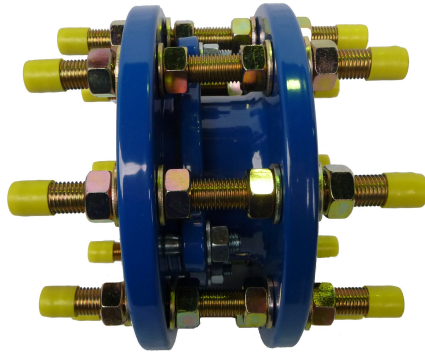


DN	PN 10								Profil
	kg	A	Dø	b	L	M	kø	z	
50	8	100	165	18	200	16	125	4	P 1
65	9	100	185	18	200	16	145	4	P 1
80	12	100	200	20	210	16	160	8	P 1
100	13	100	220	20	210	16	180	8	P 1
125	16	100	250	20	210	16	210	8	P 1
150	21	100	285	22	230	20	240	8	P 1
200	28	100	340	24	230	20	295	8	P 1
250	39	110	395	24	240	20	350	12	P 1
300	45	110	445	26	240	20	400	12	P 2
350	59	110	505	26	240	20	460	16	P 2
400	76	110	565	26	260	24	515	16	P 2
500	94	110	670	26	260	24	620	20	P 2
600	127	130	780	28	270	27	725	20	P 3
700	165	130	895	30	280	27	840	24	P 3
800	218	140	1015	32	300	30	950	24	P 3
900	257	140	1115	34	300	30	1050	28	P 3
1000	308	150	1230	34	320	33	1160	28	P 3
1200	469	170	1455	38	375	36	1380	32	P 3

Technische Änderungen und Irrtümer vorbehalten / technical changes and errors reserve

## Ausbaustück Typ POK, feststellbar

*Dismantling piece type POK, lockable*  
 Joint de démontage type POK, autobuté

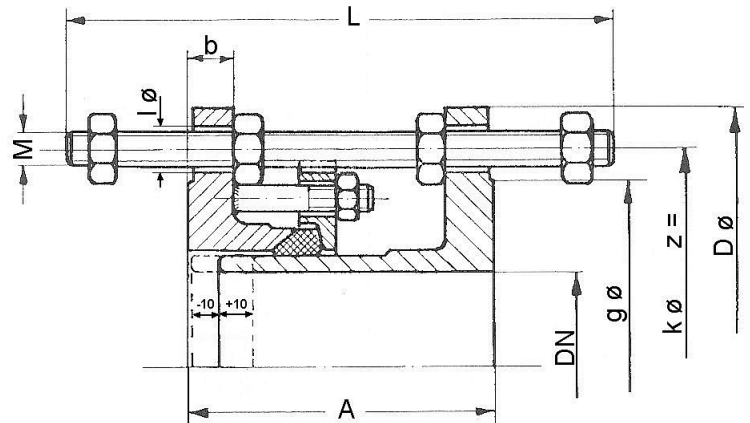


DN	PN 16								Profil
	kg	A	D $\varnothing$	b	L	M	k $\varnothing$	z	
50	8	100	165	18	200	16	125	4	P 1
65	9	100	185	18	200	16	145	4	P 1
80	12	100	200	20	210	16	160	8	P 1
100	13	100	220	20	210	16	180	8	P 1
125	16	100	250	20	210	16	210	8	P 1
150	21	100	285	22	230	20	240	8	P 1
200	31	100	340	24	230	20	295	12	P 1
250	49	120	405	26	260	24	355	12	P 1
300	59	130	460	28	270	24	410	12	P 2
350	81	130	520	30	270	24	470	16	P 2
400	102	140	580	32	295	27	525	16	P 2
500	166	150	715	34	310	30	650	20	P 2
600	228	170	840	36	350	33	770	20	P 3
700	243	170	910	36	350	33	840	24	P 3
800									
900									
1000									
1200									

Technische Änderungen und Irrtümer vorbehalten / technical changes and errors reserve

## Ausbaustück Typ POK, feststellbar

*Dismantling piece type POK, lockable*  
 Joint de démontage type POK, autobuté

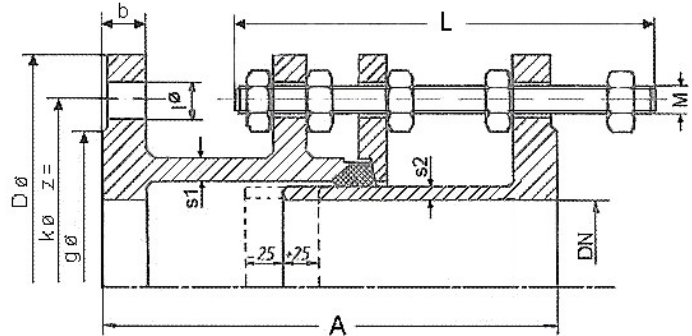


DN	PN 25								Profil
	kg	A	D $\varnothing$	b	L	M	k $\varnothing$	z	
50	8	110	165	20	200	16	125	4	P 1
65	12	110	185	25	200	16	145	8	P 1
80	14	110	200	24	220	16	160	8	P 1
100	20	120	235	25	240	20	190	8	P 1
125	30	130	270	26	260	24	220	8	P 1
150	35	130	300	28	270	24	250	8	P 1
200	52	140	360	30	290	24	310	12	P 1
250									
300	96	150	485	34	310	27	430	16	P 2
350									
400									
500									
600									
700									
800									
900									
1000									
1200									

Technische Änderungen und Irrtümer vorbehalten / technical changes and errors reserve

## Ausbaustück Typ PF, feststellbar

*Dismantling piece type PF, lockable*  
 Joint de démontage type PF, autobuté

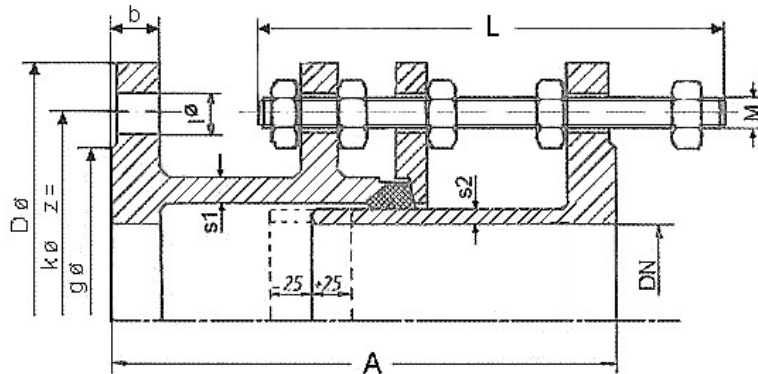


DN	PN 10								Profil
	kg	A	Dø	b	L	M	kø	z	
50	13	300	165	18	250	16	125	4	P 1
65	16	300	185	18	250	16	145	4	P 1
80	21	300	200	20	250	16	160	8	P 1
100	26	300	220	20	250	16	180	8	P 2
125	32	300	250	20	250	16	210	8	P 2
150	45	350	285	22	290	20	240	8	P 2
200	55	350	340	24	290	20	295	8	P 2
250	79	350	395	26	290	20	350	12	P 2
300	85	350	445	26	290	20	400	12	P 3
350	118	350	505	26	290	20	460	16	P 3
400	148	375	565	26	320	24	515	16	P 3
450	164	375	615	26	320	24	565	20	P 3
500	183	375	670	28	320	24	620	20	P 3
600	255	400	780	28	350	27	725	20	P 4
700	322	400	895	30	350	27	840	24	P 4
800	427	450	1015	32	380	30	950	24	P 4
900	522	450	1115	34	380	30	1050	28	P 4
1000	603	475	1230	34	420	33	1160	28	P 4
1200	888	525	1455	38	450	36	1380	32	P 5
1400	1190	550	1675	42	495	39	1590	36	P 5
1500	1328	550	1785	44	495	39	1700	36	P 5

Technische Änderungen und Irrtümer vorbehalten / technical changes and errors reserve

## Ausbaustück Typ PF, feststellbar

*Dismantling piece type PF, lockable*  
*Joint de démontage type PF, autobuté*

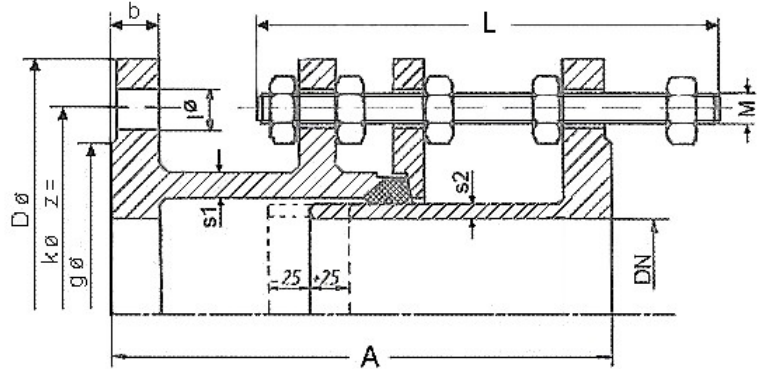


DN	PN 16								Profil
	Kg	A	Dø	b	L	M	kø	z	
<b>50</b>	<b>13</b>	<b>300</b>	<b>165</b>	<b>18</b>	<b>250</b>	<b>16</b>	<b>125</b>	<b>4</b>	<b>P 1</b>
65	16	300	185	18	250	16	145	4	P 1
<b>80</b>	<b>21</b>	<b>300</b>	<b>200</b>	<b>20</b>	<b>250</b>	<b>16</b>	<b>160</b>	<b>8</b>	<b>P 1</b>
<b>100</b>	<b>26</b>	<b>300</b>	<b>220</b>	<b>20</b>	<b>250</b>	<b>16</b>	<b>180</b>	<b>8</b>	<b>P 2</b>
<b>125</b>	<b>32</b>	<b>300</b>	<b>250</b>	<b>20</b>	<b>250</b>	<b>16</b>	<b>210</b>	<b>8</b>	<b>P 2</b>
<b>150</b>	<b>45</b>	<b>350</b>	<b>285</b>	<b>22</b>	<b>290</b>	<b>20</b>	<b>240</b>	<b>8</b>	<b>P 2</b>
<b>200</b>	<b>58</b>	<b>350</b>	<b>340</b>	<b>24</b>	<b>290</b>	<b>20</b>	<b>295</b>	<b>12</b>	<b>P 2</b>
<b>250</b>	<b>93</b>	<b>375</b>	<b>405</b>	<b>26</b>	<b>320</b>	<b>24</b>	<b>355</b>	<b>12</b>	<b>P 2</b>
<b>300</b>	<b>102</b>	<b>375</b>	<b>460</b>	<b>28</b>	<b>320</b>	<b>24</b>	<b>410</b>	<b>12</b>	<b>P 3</b>
<b>350</b>	<b>153</b>	<b>425</b>	<b>520</b>	<b>30</b>	<b>320</b>	<b>24</b>	<b>470</b>	<b>16</b>	<b>P 3</b>
<b>400</b>	<b>183</b>	<b>425</b>	<b>580</b>	<b>32</b>	<b>350</b>	<b>27</b>	<b>525</b>	<b>16</b>	<b>P 3</b>
450	232	425	640	32	350	27	585	20	P 3
500	283	450	715	34	380	30	650	20	P 3
<b>600</b>	<b>409</b>	<b>475</b>	<b>840</b>	<b>36</b>	<b>420</b>	<b>33</b>	<b>770</b>	<b>20</b>	<b>P 4</b>
700	444	475	910	36	420	33	840	24	P 4
<b>800</b>	<b>554</b>	<b>525</b>	<b>1025</b>	<b>38</b>	<b>450</b>	<b>36</b>	<b>950</b>	<b>24</b>	<b>P 4</b>
900	692	525	1125	40	450	36	1050	28	P 4
1000	890	550	1255	42	450	39	1170	28	P 4
1200	1392	600	1485	48	525	45	1390	32	P 5
1400	1682	625	1685	52	525	45	1590	36	P 5

Technische Änderungen und Irrtümer vorbehalten / technical changes and errors reserve

## Ausbaustück Typ PF, feststellbar

*Dismantling piece type PF, lockable*  
 Joint de démontage type PF, autobuté

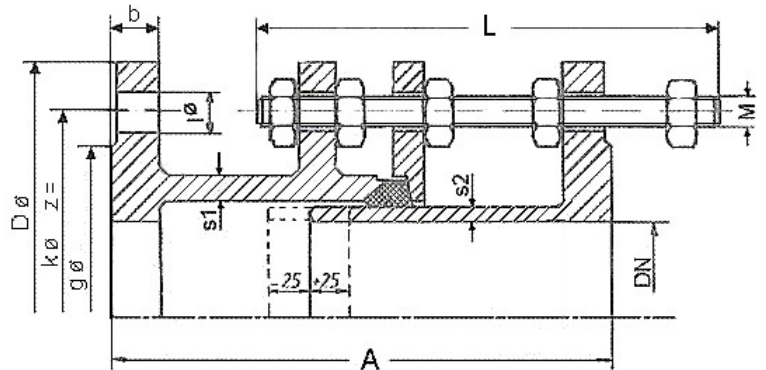
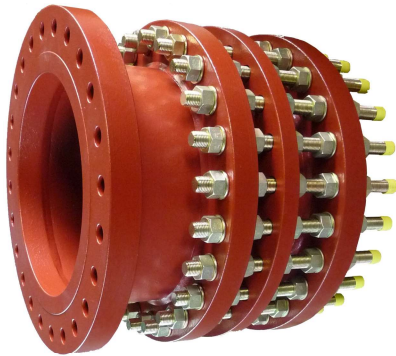


DN	PN 25								Profil
	Kg	A	Dø	B	L	M	kø	z	
50	16	325	165	20	260	16	125	4	P 1
65	20	325	185	22	260	16	145	8	P 1
<b>80</b>	<b>25</b>	<b>325</b>	<b>200</b>	<b>24</b>	<b>270</b>	<b>16</b>	<b>160</b>	<b>8</b>	<b>P 1</b>
100	35	350	235	24	290	20	190	8	P 2
<b>125</b>	<b>53</b>	<b>375</b>	<b>270</b>	<b>26</b>	<b>320</b>	<b>24</b>	<b>220</b>	<b>8</b>	<b>P 2</b>
<b>150</b>	<b>64</b>	<b>375</b>	<b>300</b>	<b>28</b>	<b>320</b>	<b>24</b>	<b>250</b>	<b>8</b>	<b>P 2</b>
<b>200</b>	<b>90</b>	<b>375</b>	<b>360</b>	<b>30</b>	<b>320</b>	<b>24</b>	<b>310</b>	<b>12</b>	<b>P 2</b>
<b>250</b>	<b>128</b>	<b>425</b>	<b>425</b>	<b>32</b>	<b>350</b>	<b>27</b>	<b>370</b>	<b>12</b>	<b>P 2</b>
300	170	425	485	34	350	27	430	16	P 3
350	246	450	555	38	380	30	490	16	P 3
<b>400</b>	<b>291</b>	<b>500</b>	<b>620</b>	<b>40</b>	<b>420</b>	<b>33</b>	<b>550</b>	<b>16</b>	<b>P 3</b>
500	433	525	730	44	420	33	660	20	P 3
<b>600</b>	<b>532</b>	<b>550</b>	<b>845</b>	<b>46</b>	<b>470</b>	<b>36</b>	<b>770</b>	<b>20</b>	<b>P 4</b>
700	750	600	960	46	500	39	875	24	P 4
<b>800</b>	<b>920</b>	<b>625</b>	<b>1085</b>	<b>50</b>	<b>520</b>	<b>45</b>	<b>990</b>	<b>24</b>	<b>P 4</b>
<b>900</b>	<b>1051</b>	<b>625</b>	<b>1185</b>	<b>54</b>	<b>520</b>	<b>45</b>	<b>1090</b>	<b>28</b>	<b>P 4</b>
1000	1560	675	1320	58	550	52	1210	28	P 4

Technische Änderungen und Irrtümer vorbehalten / technical changes and errors reserve

## Ausbaustück Typ PF, feststellbar

*Dismantling piece type PF, lockable*  
*Joint de démontage type PF, autobuté*

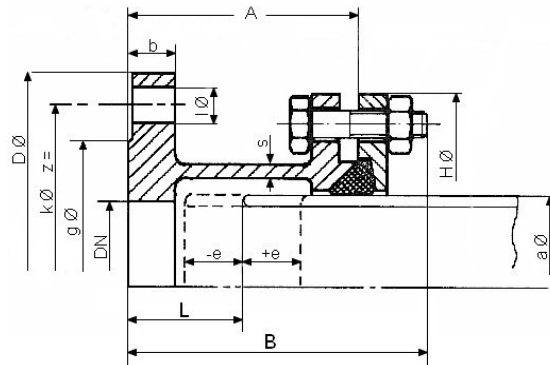


DN	PN 40								Profil
	Kg	A	Dø	b	L	M	kø	z	
50	16	325	165	20	260	16	125	4	P 1
65	20	325	185	22	260	16	145	8	P 1
<b>80</b>	<b>25</b>	<b>325</b>	<b>200</b>	<b>24</b>	<b>270</b>	<b>16</b>	<b>160</b>	<b>8</b>	<b>P 1</b>
100	35	350	235	24	290	20	190	8	P 2
<b>125</b>	<b>53</b>	<b>375</b>	<b>270</b>	<b>26</b>	<b>320</b>	<b>24</b>	<b>220</b>	<b>8</b>	<b>P 2</b>
<b>150</b>	<b>64</b>	<b>375</b>	<b>300</b>	<b>28</b>	<b>320</b>	<b>24</b>	<b>250</b>	<b>8</b>	<b>P 2</b>
200	120	425	375	34	350	27	320	12	P 2
<b>250</b>	<b>167</b>	<b>450</b>	<b>450</b>	<b>38</b>	<b>380</b>	<b>30</b>	<b>385</b>	<b>12</b>	<b>P 2</b>
<b>300</b>	<b>224</b>	<b>450</b>	<b>515</b>	<b>42</b>	<b>380</b>	<b>30</b>	<b>450</b>	<b>16</b>	<b>P 3</b>
350	330	500	580	46	420	33	510	16	P 3
400	442	550	660	50	450	36	585	16	P 3
<b>500</b>	<b>547</b>	<b>600</b>	<b>755</b>	<b>52</b>	<b>495</b>	<b>39</b>	<b>670</b>	<b>20</b>	<b>P 3</b>
600	892	650	890	60	550	45	795	20	P 4
700	1104	700	995	64	600	45	900	24	P 4

Technische Änderungen und Irrtümer vorbehalten / technical changes and errors reserve

## Flanschadapter Typ PV, nicht feststellbar

*Flange adaptor type PV, not lockable*  
 Adaptateur de bride type PV, non-autobuté



Abwinklung in Mittelstellung bei allen Nennweiten max. 4°  
 Angularity in center position max. 4° for all nominal diameters

\* aØ ist hier als Beispiel aufgeführt. Bei Anfrage bzw. Bestellung ist vom Kunden aØ mit anzugeben

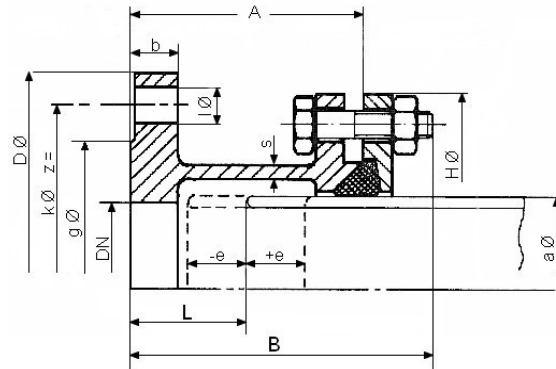
DN	PN 10								e (mm)	Profil
	kg	aØ*	A	DØ	b	kØ	z	L		
50	7,5	60,3	140	165	18	125	4	70	40	P 1
65	9		140	185	18	145	4	70	40	P 1
80	10	88,9	140	200	20	160	8	70	40	P 1
100	12	114,3	140	220	20	180	8	70	40	P 2
125	16	139,7	140	250	22	210	8	70	40	P 2
150	18	168,3	140	285	22	240	8	70	40	P 2
200	26	219,1	140	340	24	295	8	70	40	P 2
250	36	250	180	395	26	350	12	90	50	P 3
300	44	323,9	180	445	26	400	12	90	50	P 3
350	50	355,6	180	505	26	460	16	90	50	P 3
400	57	406,4	180	565	26	515	16	90	50	P 3
450	66	480	180	615	26	565	20	90	50	P 3
500	74	522	180	670	28	620	20	90	50	P 3
600	112		180	780	28	725	20	80	50	P 4
700	135	724	180	895	30	840	24	80	50	P 4
800	162	845	200	1015	32	950	24	90	50	P 4
900	184	923	200	1115	34	1050	28	90	50	P 4
1000	245	1046	300	1230	34	1160	28	170	50	P 4
1100	276	1149	300	1340	36	1270	32	170	50	P 4
1200	319	1229	300	1455	38	1380	32	170	50	P 5
1300	400		300	1575	38	1490	32	160	50	P 5
1400	424	1460	300	1675	42	1590	36	160	50	P 5
1500	484		300	1785	44	1700	36	150	50	P 5
1600	572		300	1915	46	1820	40	150	50	P 5

Technische Änderungen und Irrtümer vorbehalten / technical changes and errors reserve



## Flanschadapter Typ PV, nicht feststellbar

*Flange adaptor type PV, not lockable*  
 Adaptateur de bride type PV, non-autobuté



Abwinklung in Mittelstellung bei allen Nennweiten max. 4°  
 Angularity in center position max. 4° for all nominal diameters

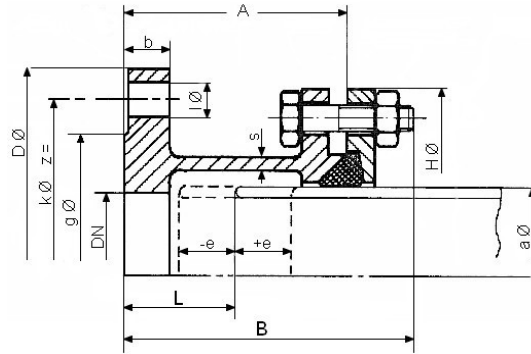
\* aø ist hier als Beispiel aufgeführt. Bei Anfrage bzw. Bestellung ist vom Kunden aø mit anzugeben

DN	PN 16								e (mm)	Profil
	kg	aø	A	Dø	b	kø	z	L		
50	7,5	60,3	140	165	18	125	4	70	40	P 1
65	9		140	185	18	145	4	70	40	P 1
80	10	88,9	140	200	20	160	8	70	40	P 1
100	12	114,3	140	220	20	180	8	70	40	P 2
125	16	139,7	140	250	22	210	8	70	40	P 2
150	18	168,3	140	285	22	240	8	70	40	P 2
200	27	219,1	140	340	24	295	12	70	40	P2
250	37	244	180	405	26	355	12	90	50	P3
300	50		180	460	28	410	12	90	50	P3
350	56	376	180	520	30	470	16	90	50	P3
400	69	400	180	580	32	525	16	90	50	P3
450	76	450	180	640	32	585	20	90	50	P3
500	94	530	180	715	34	650	20	90	50	P3
600	147	630	200	840	36	770	20	90	50	P4
700	155	719	200	910	36	840	24	90	50	P4
800	177	800	200	1025	38	950	24	90	50	P4
900	241	900	300	1125	40	1050	28	170	50	P4
1000	286	1016	300	1255	42	1170	28	180	50	P4
1100	319	1126	300	1355	44	1270	32	180	50	P4
1200	410	1219	300	1485	48	1390	32	180	50	P5
1300	452	1331	350	1585	52	1490	32	220	50	P5
1400	502		350	1685	52	1590	36	220	50	P5

Technische Änderungen und Irrtümer vorbehalten / technical changes and errors reserve

## Flanschadapter Typ PV, nicht feststellbar

*Flange adaptor type PV, not lockable*  
*Adaptateur de bride type PV, non-autobuté*



Abwinklung in Mittelstellung bei allen Nennweiten max. 4°  
*Angularity in center position max. 4° for all nominal diameters*

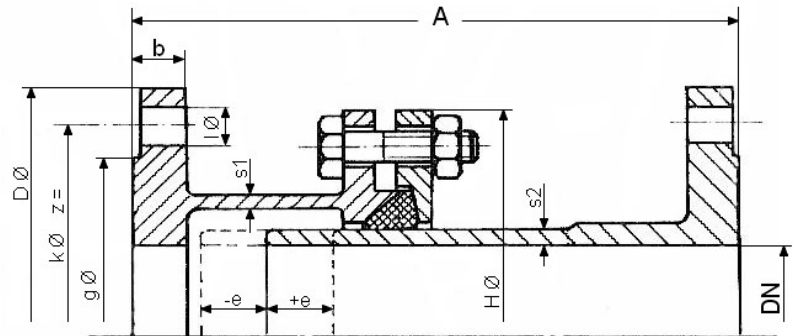
\* aø ist hier als Beispiel aufgeführt. Bei Anfrage bzw. Bestellung ist vom Kunden aø mit anzugeben

DN	PN 25								e (mm)	Profil
	kg	aø	A	Dø	b	kø	z	L		
50	9	60,3	140	165	20	125	4	75	40	P1
65	11	76,1	140	185	22	145	8	75	40	P1
80	13	88,9	140	200	24	160	8	75	40	P1
100	16		140	235	24	190	8	75	40	P1
125	20		150	270	26	220	8	75	40	P2
150	24	168,3	150	300	28	250	8	75	40	P2
200	33	222	150	360	30	310	12	75	40	P2
250	52		180	425	32	370	12	90	50	P3
300	64		200	485	34	430	16	110	50	P3
350	80	376	200	555	38	490	16	105	50	P3
400	101	406,4	200	620	40	550	16	105	50	P3
450	117	478	200	670	42	600	20	105	50	P3
500	132		200	730	44	660	20	105	50	P3
600	182	635	200	845	46	770	20	100	50	P4
700	217	719	200	960	46	875	24	100	50	P4
800	277	842	230	1085	50	990	24	130	50	P4
900	328	942	300	1185	54	1090	28	115	50	P4
1000	427	1045	300	1320	58	1210	28	180	50	P4

Technische Änderungen und Irrtümer vorbehalten / technical changes and errors reserve

## Ausbaustück Typ PP, nicht feststellbar

*Dismantling piece type PP, not lockable*  
Joint de démontage type PP, non-autobuté



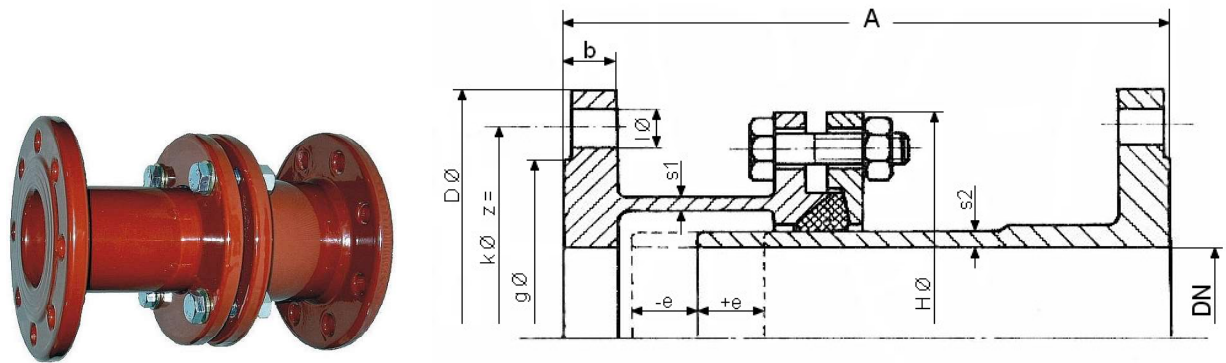
Abwinklung in Mittelstellung bei allen Nennweiten max. 4°  
Angularity in center position max. 4° for all nominal diameters

DN	PN 10						e (mm)	Profil
	kg	A	Dø	b	kø	z		
50	11	300	165	18	125	4	40	P 1
65	13	300	185	18	145	4	40	P 1
80	15	300	200	20	160	8	40	P 1
<b>100</b>	<b>18</b>	<b>300</b>	<b>220</b>	<b>20</b>	<b>180</b>	<b>8</b>	<b>40</b>	<b>P 2</b>
125	24	300	250	22	210	8	40	P 2
150	30	300	285	22	240	8	40	P 2
<b>200</b>	<b>40</b>	<b>300</b>	<b>340</b>	<b>24</b>	<b>295</b>	<b>8</b>	<b>40</b>	<b>P 2</b>
<b>250</b>	<b>59</b>	<b>350</b>	<b>395</b>	<b>26</b>	<b>350</b>	<b>12</b>	<b>50</b>	<b>P 3</b>
<b>300</b>	<b>68</b>	<b>350</b>	<b>445</b>	<b>26</b>	<b>400</b>	<b>12</b>	<b>50</b>	<b>P 3</b>
350	96	350	505	26	460	16	50	P 3
<b>400</b>	<b>98</b>	<b>380</b>	<b>565</b>	<b>26</b>	<b>515</b>	<b>16</b>	<b>50</b>	<b>P 3</b>
450	113	380	615	26	565	20	50	P 3
<b>500</b>	<b>121</b>	<b>380</b>	<b>670</b>	<b>28</b>	<b>620</b>	<b>20</b>	<b>50</b>	<b>P 3</b>
600	160	380	780	28	725	20	50	P 4
<b>700</b>	<b>207</b>	<b>380</b>	<b>895</b>	<b>30</b>	<b>840</b>	<b>24</b>	<b>50</b>	<b>P 4</b>
<b>800</b>	<b>276</b>	<b>380</b>	<b>1015</b>	<b>32</b>	<b>950</b>	<b>24</b>	<b>50</b>	<b>P 4</b>
900	310	380	1115	34	1050	28	50	P 4
<b>1000</b>	<b>361</b>	<b>380</b>	<b>1230</b>	<b>34</b>	<b>1160</b>	<b>28</b>	<b>50</b>	<b>P 4</b>
<b>1100</b>	<b>413</b>	<b>380</b>	<b>1340</b>	<b>36</b>	<b>1270</b>	<b>32</b>	<b>50</b>	<b>P4</b>
<b>1200</b>	<b>502</b>	<b>400</b>	<b>1455</b>	<b>38</b>	<b>1380</b>	<b>32</b>	<b>50</b>	<b>P5</b>
1300	600	400	1575	38	1490	32	50	P5
<b>1400</b>	<b>666</b>	<b>400</b>	<b>1675</b>	<b>42</b>	<b>1590</b>	<b>36</b>	<b>50</b>	<b>P5</b>
<b>1500</b>	<b>760</b>	<b>400</b>	<b>1785</b>	<b>44</b>	<b>1700</b>	<b>36</b>	<b>50</b>	<b>P5</b>

Technische Änderungen und Irrtümer vorbehalten / technical changes and errors reserve

## Ausbaustück Typ PP, nicht feststellbar

*Dismantling piece type PP, not lockable*  
 Joint de démontage type PP, non-autobuté



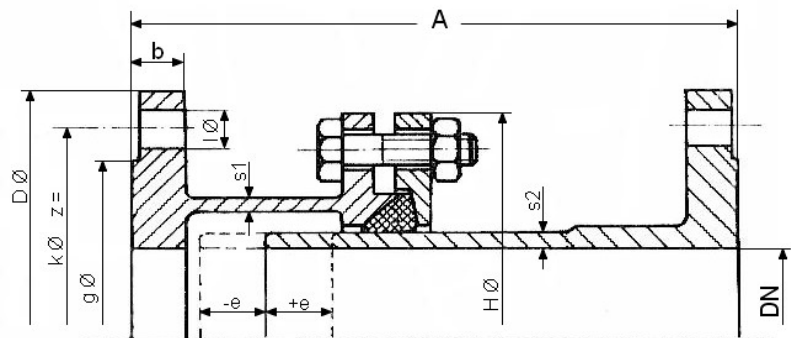
Abwinklung in Mittelstellung bei allen Nennweiten max. 4°  
 Angularity in center position max. 4° for all nominal diameters

DN	PN 16						e (mm)	Profil
	kg	A	Dø	b	kø	z		
50	11	300	165	18	125	4	40	P1
65	13	300	185	18	145	4	40	P1
80	15	300	200	20	160	8	40	P1
100	20	300	220	20	180	8	40	P1
125	24	300	250	22	210	8	40	P2
150	30	300	285	22	240	8	40	P2
200	42	300	340	24	295	12	40	P2
<b>250</b>	<b>60</b>	<b>350</b>	<b>405</b>	<b>26</b>	<b>355</b>	<b>12</b>	<b>50</b>	<b>P3</b>
300	85	350	460	28	410	12	50	P3
350	102	350	520	30	470	16	50	P3
400	130	350	580	32	525	16	50	P3
450	144	380	640	32	585	20	50	P3
500	162	380	715	34	650	20	50	P3
600	240	380	840	36	770	20	50	P4
700	273	380	910	36	840	24	50	P4
<b>800</b>	<b>306</b>	<b>390</b>	<b>1025</b>	<b>38</b>	<b>950</b>	<b>24</b>	<b>50</b>	<b>P4</b>
900	384	390	1125	40	1050	28	50	P4
1000	486	390	1255	42	1170	28	50	P4
1100	530	400	1355	44	1270	32	50	P4
<b>1200</b>	<b>654</b>	<b>400</b>	<b>1485</b>	<b>48</b>	<b>1390</b>	<b>32</b>	<b>50</b>	<b>P5</b>
1300	830	400	1585	52	1490	32	50	P5
1400	915	400	1685	52	1590	36	50	P5

Technische Änderungen und Irrtümer vorbehalten / technical changes and errors reserve

## Ausbaustück Typ PP, nicht feststellbar

*Dismantling piece type PP, not lockable*  
 Joint de démontage type PP, non-autobuté



Abwinklung in Mittelstellung bei allen Nennweiten max. 4°  
 Angularity in center position max. 4° for all nominal diameters

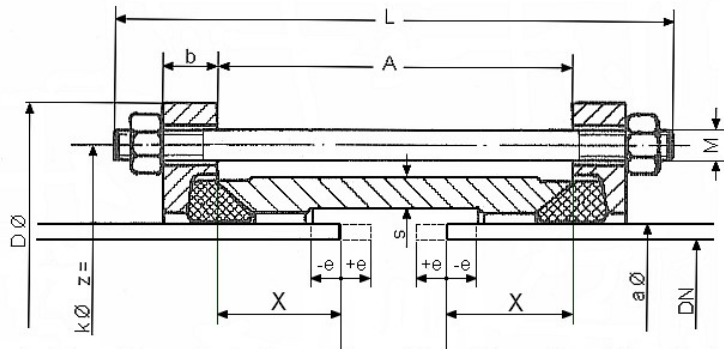
DN	PN 25						e (mm)	Profil
	kg	A	Dø	b	kø	z		
50	12	300	165	20	125	4	40	P1
65	15	300	185	22	145	8	40	P1
80	17	300	200	24	160	8	40	P1
100	22	300	235	24	190	8	40	P1
125	28	320	270	26	220	8	40	P2
150	36	320	300	28	250	8	40	P2
200	54	320	360	30	310	12	40	P2
250	90	390	425	32	370	12	50	P3
300	114	390	485	34	430	16	50	P3
350	150	390	555	38	490	16	50	P3
400	180	420	620	40	550	16	50	P3
450	210	420	670	42	600	20	50	P3
500	252	420	730	44	660	20	50	P3
<b>600</b>	<b>307</b>	<b>420</b>	<b>845</b>	<b>46</b>	<b>770</b>	<b>20</b>	<b>50</b>	<b>P4</b>
<b>700</b>	<b>379</b>	<b>420</b>	<b>960</b>	<b>46</b>	<b>875</b>	<b>24</b>	<b>50</b>	<b>P4</b>
<b>800</b>	<b>471</b>	<b>420</b>	<b>1085</b>	<b>50</b>	<b>990</b>	<b>24</b>	<b>50</b>	<b>P4</b>
<b>900</b>	<b>561</b>	<b>470</b>	<b>1185</b>	<b>54</b>	<b>1090</b>	<b>28</b>	<b>50</b>	<b>P4</b>
1000	642	470	1320	58	1210	28	50	P4

Technische Änderungen und Irrtümer vorbehalten / technical changes and errors reserve

## Schiebemuffe Typ PS, nicht feststellbar

*Sliding sleeve type PS, not lockable*

*Raccord type PS, non-autobuté*



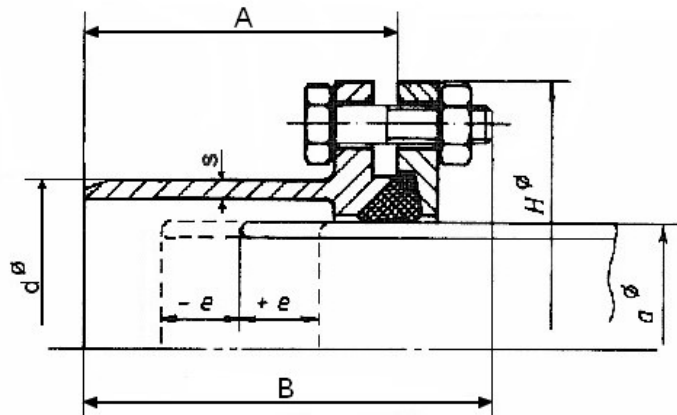
Abwinklung in Mittelstellung bei allen Nennweiten max. 4°  
*Angularity in center position max. 4° for all nominal diameters*

DN	PN 10			PN 16			PN 25			Tol.	X	Max. Bewegungsmöglichkeit		Profil
	kg	A	L	kg	A	L	kg	A	L			e	radial	
65	6	96	190	6	96	190	6	96	190	+2/-1	40	8	6	P1
80	8	96	190	8	96	190	8	96	190	+2/-1	40	8	6	P1
100	10	96	210	10	96	210	10	96	210	+2/-1,5	40	8	6	P2
125	12	96	210	12	96	210	12	96	210	+2/-1,5	40	8	6	P2
150	15	96	210	15	96	210	15	96	210	+2/-1,5	40	8	6	P2
200	21	96	210	21	96	210	21	96	210	+2/-1,5	40	8	6	P2
250	25	116	230	25	116	230	25	116	230	+4/-3	50	8	8	P3
300	34	116	230	34	116	230	34	116	230	+4/-3	50	8	8	P3
350	42	134	250	42	134	250	42	134	250	+4/-3	50	15	9	P3
400	50	134	250	50	134	250	50	134	250	+4/-3	50	15	9	P3
450	55	134	250	55	134	250	55	134	250	+4/-3	50	15	9	P3
500	61	154	250	61	154	250	61	154	250	+4/-3	55	15	10	P3
600	104	174	290	104	174	290	104	174	290	+5/-4	60	15	12	P4
700	117	174	290	117	174	290	117	174	290	+5/-4	70	15	12	P4
800	144	204	320	144	204	320	144	204	320	+5/-4	70	20	14	P4
900	160	204	320	160	204	320	160	204	320	+5/-4	80	20	14	P4
1000	186	220	340	186	220	340	186	220	340	+5/-4	80	20	15	P4
1100	215	220	340	215	220	340	273	300	430	+5/-4	80	20	15	P4
1200	332	300	430	332	300	430	343	300	450	+5,5/-5	100	30	21	P5
1300	355	300	430	355	300	430	380	300	450	+5,5/-5	110	30	21	P5
1400	390	300	430	390	300	430	430	300	450	+5,5/-5	110	30	21	P5
1500	440	315	450	440	315	450	490	315	460	+5,5/-5	120	30	22	P5
1600	470	315	450	470	315	450	550	315	460	+5,5/-5	120	30	22	P5
1800	634	380	530	634	380	530	705	380	530	+5,5/-5	140	40	26	P6
2000	740	380	530	740	380	530	780	380	530	+5,5/-5	140	40	26	P6

Technische Änderungen und Irrtümer vorbehalten / technical changes and errors reserve

## Schweißadapter Typ PVW, nicht feststellbar

*Welding piece type PVW, not lockable*



Wir verzichten, an dieser Stelle, auf eine Tabelle da es bei diesen Teilen viele Kombinationsmöglichkeiten gibt. Bei Bedarf, teilen Sie uns bitte den Rohr-Außen  $\emptyset$  mit.

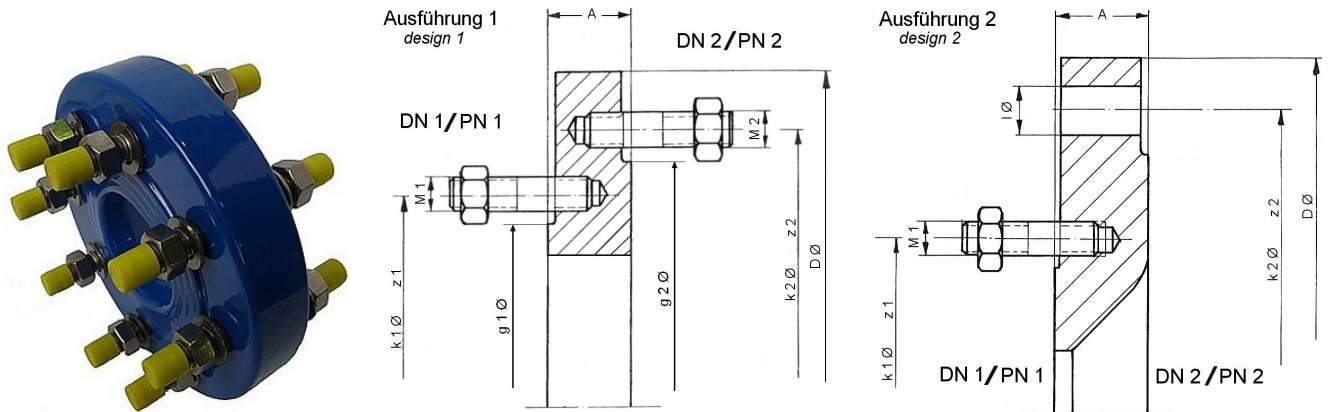
*We do not have the possibility to show you all the different combinations of diameters which can be realised. Please submit us your specific  $\emptyset$  according to your request.*

Nous n'avons, ici, pas la possibilité de vous transmettre de tableau étant donné la quantité énorme de combinaisons possibles. En cas de besoin, veuillez nous communiquer le  $\emptyset$  extérieur du tuyau.

## Reduzierflansch Typ PR

*Reducer type PR*

Bride de réduction type PR



DN1	PN1	DN2	PN2	A	Dø	k1ø	z1	M1	k2ø	z2	M2	lø	Ausführung	kg
50	10-16	80	10-16	40	200	125	4	M16	160	8	M16	---	1	9
50	10-16	100	10-16	40	220	125	4	M16	180	8	M16	---	1	11
50	10-16	150	10-16	40	285	125	4	M16	240	8	---	23	2	19
65	10-16	80	10-16	45	200	145	4	M16	160	8	M16	---	1	10
65	10-16	100	10-16	40	220	145	4	M16	180	8	M16	---	1	11
65	10-16	150	10-16	40	285	145	4	M16	240	8	M20	---	1	19
80	10-16	100	10-16	45	220	160	8	M16	180	8	M16	---	1	12
80	10-16	125	10-16	40	250	160	8	M16	210	8	M16	---	1	14
80	10-16	150	10-16	40	285	160	8	M16	240	8	M20	---	1	18
100	10-16	125	10-16	45	250	180	8	M16	210	8	M16	---	1	15
100	10-16	150	10-16	40	285	180	8	M16	240	8	M20	---	1	18
100	10-16	200	10	40	340	180	8	M16	295	8	---	23	2	26
100	10-16	200	16	40	340	180	8	M16	295	12	---	22	2	26
125	10-16	150	10-16	50	285	210	8	M16	240	8	M20	---	1	20
125	10-16	200	10	40	340	210	8	M16	295	8	---	23	2	25
125	10-16	200	16	40	340	210	8	M16	295	12	---	22	2	25
125	10-16	250	10	40	395	210	8	M16	350	12	---	23	2	35
125	10-16	250	16	40	405	210	8	M16	355	12	---	26	2	37
150	10-16	200	10	45	340	240	8	M20	295	8	M20	---	1	26
150	10-16	200	16	45	340	240	8	M20	295	12	M20	---	1	26
150	10-16	250	10	45	395	240	8	M20	350	12	---	23	2	37
150	10-16	250	16	45	405	240	8	M20	355	12	---	26	2	39

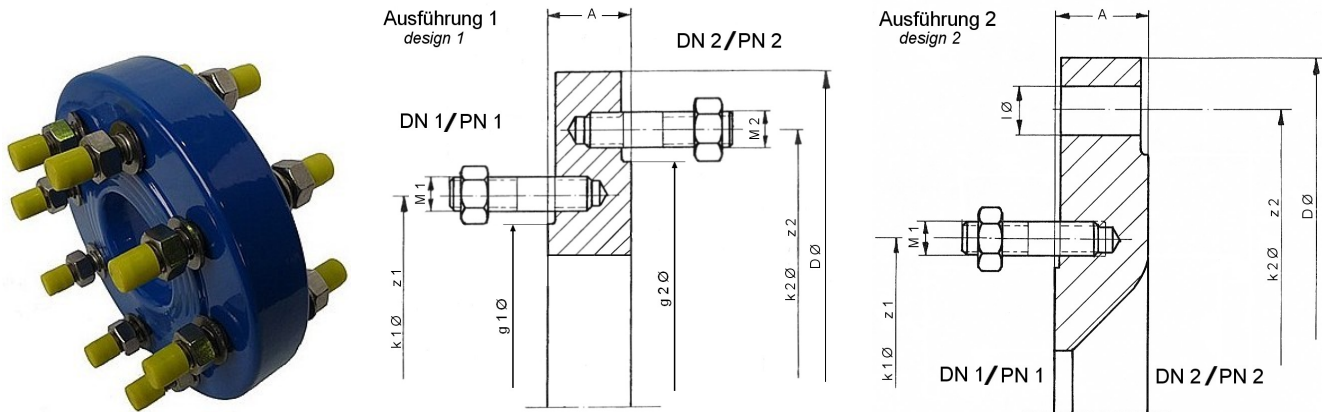
Technische Änderungen und Irrtümer vorbehalten / technical changes and errors reserve



## Reduzierflansch Typ PR

*Reducer type PR*

Bride de réduction type PR



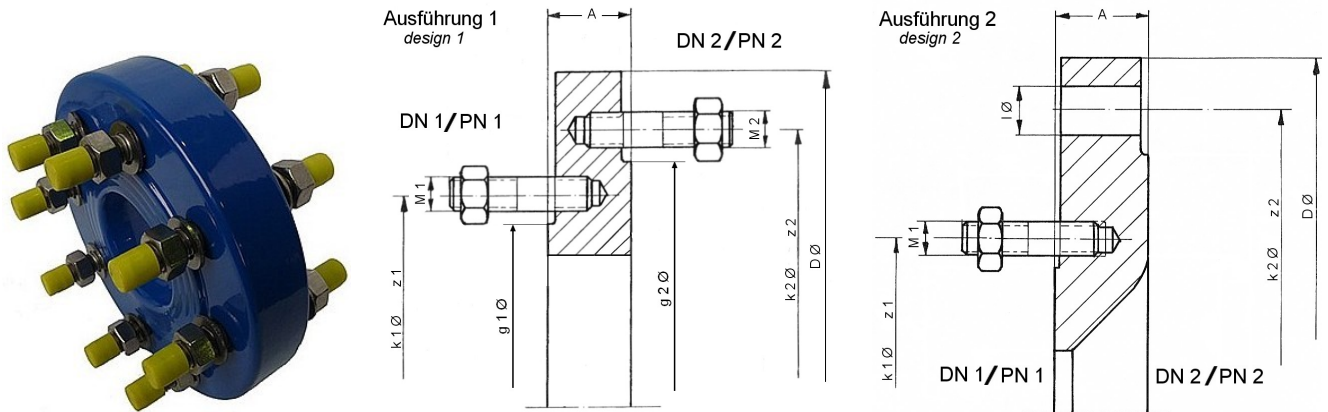
DN1	PN1	DN2	PN2	A	Dø	k1ø	z1	M1	k2ø	z2	M2	lø	Ausführung	kg
150	10-16	300	10	45	445	240	8	M20	400	12	---	23	2	49
150	10-16	300	16	45	460	240	8	M20	410	12	---	27	2	52
200	10	250	10	45	395	295	8	M20	350	12	M20	---	1	32
200	10	300	10	45	445	295	8	M20	400	12	---	23	2	44
200	10	350	10	45	505	295	8	M20	460	16	---	23	2	60
200	16	250	16	55	405	295	12	M20	355	12	M24	---	1	42
200	16	300	16	45	460	295	12	M20	410	12	---	27	2	48
200	16	350	16	45	520	295	12	M20	470	16	---	27	2	64
250	10	300	10	45	445	350	12	M20	400	12	M20	---	1	38
250	10	350	10	45	505	350	12	M20	460	16	---	23	2	53
250	10	400	10	45	565	350	12	M20	515	16	---	27	2	71
250	10	450	10	45	615	350	12	M20	565	20	---	27	2	88
250	16	300	16	45	460	355	12	M24	410	12	M24	---	1	41
250	16	350	16	45	520	355	12	M24	470	16	---	27	2	58
250	16	400	16	45	580	355	12	M24	525	16	---	30	2	76
250	16	450	16	45	640	355	12	M24	585	20	---	30	2	96
300	10	350	10	45	505	400	12	M20	460	16	M20	---	1	46
300	10	400	10	45	565	400	12	M20	515	16	---	27	2	64
300	10	450	10	45	615	400	12	M20	565	20	---	27	2	80
300	10	500	10	45	670	400	12	M20	620	20	---	27	2	100
300	10	600	10	45	780	400	12	M20	725	20	---	30	2	144
300	16	350	16	45	520	410	12	M24	470	16	M24	---	1	50

Technische Änderungen und Irrtümer vorbehalten / technical changes and errors reserve

## Reduzierflansch Typ PR

*Reducer type PR*

Bride de réduction type PR



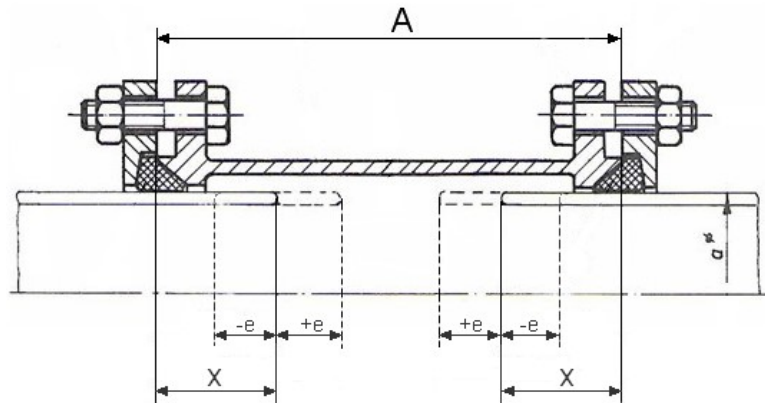
DN1	PN1	DN2	PN2	A	D Ø	k1 Ø	z1	M1	k2 Ø	z2	M2	l Ø	Ausführung	kg
300	16	400	16	45	580	410	12	M24	525	16	---	30	2	68
300	16	450	16	55	640	410	12	M24	585	20	---	30	2	108
300	16	500	16	55	715	410	12	M24	650	20	---	33	2	143
300	16	600	16	55	840	410	12	M24	770	20	---	36	2	209
350	10	400	10	45	565	460	16	M20	515	16	M24	---	1	55
350	10	450	10	45	615	460	16	M20	565	20	---	27	2	71
350	10	500	10	45	670	460	16	M20	620	20	---	27	2	91
350	10	600	10	45	780	460	16	M20	725	20	---	30	2	135
350	16	400	16	55	580	470	16	M24	525	16	M27	---	1	73
350	16	450	16	55	640	470	16	M24	585	20	---	30	2	97
350	16	500	16	55	715	470	16	M24	650	20	---	33	2	132
350	16	600	16	55	840	470	16	M24	770	20	---	36	2	198
400	10	450	10	60	615	515	16	M24	565	20	M24	---	1	81
400	10	500	10	45	670	515	16	M24	620	20	---	27	2	80
400	10	600	10	50	780	515	16	M24	725	20	---	30	2	138
400	16	450	16	50	640	525	16	M27	585	20	M27	---	1	77
400	16	500	16	50	715	525	16	M27	650	20	---	33	2	108
400	16	600	16	55	840	525	16	M27	770	20	---	36	2	185
450	10	500	10	55	670	565	20	M24	620	20	M24	---	1	84
450	10	600	10	50	780	565	20	M24	725	20	---	30	2	125
500	10	600	10	50	780	620	20	M24	725	20	---	30	2	110

Technische Änderungen und Irrtümer vorbehalten / technical changes and errors reserve

## Schiebemuffe Typ PSV, nicht feststellbar

*Sliding sleeve type PSV, not lockable*

*Raccord type PSV, non-autobuté*



Abwinklung in Mittelstellung bei allen Nennweiten max. 4°  
*Angularity in center position max. 4° for all nominal diameters*

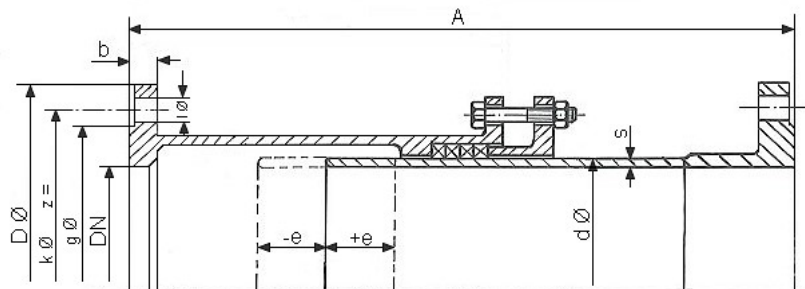
DN	PN 10			PN 16			Tol.	X	+/- e	Profil
	kg	aØ *	A	kg	aØ *	A				
200			300			300	<b>+2/-1,5</b>	<b>90</b>	<b>55</b>	<b>P2</b>
250			300			300	<b>+4/-3</b>	<b>100</b>	<b>50</b>	<b>P2</b>
<b>300</b>	<b>54</b>	<b>313</b>	<b>300</b>	<b>54</b>	<b>313</b>	<b>300</b>	<b>+4/-3</b>	<b>100</b>	<b>50</b>	<b>P3</b>
350			300			300	<b>+4/-3</b>	<b>100</b>	<b>50</b>	<b>P3</b>
400			300			300	<b>+4/-3</b>	<b>100</b>	<b>50</b>	<b>P3</b>
<b>500</b>	<b>92</b>	<b>507</b>	<b>300</b>	<b>92</b>	<b>507</b>	<b>300</b>	<b>+4/-3</b>	<b>100</b>	<b>50</b>	<b>P3</b>
<b>600</b>	<b>160</b>	<b>660</b>	<b>300</b>	<b>156</b>	<b>617</b>	<b>300</b>	<b>+5/-4</b>	<b>110</b>	<b>40</b>	<b>P4</b>
<b>700</b>	<b>174</b>	<b>738</b>	<b>300</b>	<b>174</b>	<b>710</b>	<b>300</b>	<b>+5/-4</b>	<b>110</b>	<b>40</b>	<b>P4</b>
<b>800</b>	<b>194</b>	<b>821</b>	<b>300</b>	<b>203</b>	<b>821</b>	<b>300</b>	<b>+5/-4</b>	<b>110</b>	<b>40</b>	<b>P4</b>
<b>900</b>	<b>207</b>	<b>923</b>	<b>300</b>	<b>240</b>	<b>923</b>	<b>300</b>	<b>+5/-4</b>	<b>110</b>	<b>40</b>	<b>P4</b>
<b>1000</b>	<b>254</b>	<b>1048</b>	<b>300</b>	<b>263</b>	<b>1025</b>	<b>300</b>	<b>+5/-4</b>	<b>110</b>	<b>40</b>	<b>P4</b>
<b>1200</b>	<b>332</b>	<b>1229</b>	<b>300</b>	<b>361</b>	<b>1229</b>	<b>300</b>	<b>+5/-5</b>	<b>120</b>	<b>30</b>	<b>P5</b>
1300			300	<b>379</b>	<b>1330</b>	<b>300</b>	<b>+5/-5</b>	<b>120</b>	<b>30</b>	<b>P5</b>
<b>1400</b>	<b>385</b>	<b>1400</b>	<b>300</b>	<b>398</b>	<b>1433</b>	<b>300</b>	<b>+5/-5</b>	<b>125</b>	<b>25</b>	<b>P5</b>
<b>1500</b>	<b>442</b>	<b>1565</b>	<b>300</b>			<b>300</b>	<b>+5/-5</b>	<b>125</b>	<b>25</b>	<b>P5</b>
<b>1600</b>	<b>455</b>	<b>1637</b>	<b>300</b>	<b>587</b>	<b>1637</b>	<b>300</b>	<b>+5/-5</b>	<b>125</b>	<b>25</b>	<b>P5</b>
1800			400			400	<b>+5/-5</b>	<b>160</b>	<b>40</b>	<b>P6</b>
<b>2000</b>	<b>948</b>	<b>2045</b>	<b>500</b>	<b>1073</b>	<b>2045</b>	<b>500</b>	<b>+5/-5</b>	<b>180</b>	<b>70</b>	<b>P6</b>

Technische Änderungen und Irrtümer vorbehalten / technical changes and errors reserve

\* Rohrdurchmesser (aØ) muss vom Besteller angegeben werden.  
*Outside diameter of the pipe (aØ) must be given by the customer.*

## Dehnungsstopfbuchse Typ PB, nicht feststellbar

*Expansion stuffing boxe type PB, not lockable*



DN	e	Packung	PB PN 10		PB PN 16		PB PN 25	
			kg	A	kg	A	kg	A
<b>50</b>	<b>60</b>	<b>10×10</b>	<b>12</b>	<b>440</b>	<b>12</b>	<b>440</b>	17	440
<b>65</b>	<b>60</b>	<b>10×10</b>	<b>17</b>	<b>440</b>	<b>17</b>	<b>440</b>	19	440
<b>80</b>	<b>60</b>	<b>10×10</b>	<b>16</b>	<b>470</b>	<b>18</b>	<b>470</b>	23	470
<b>100</b>	<b>60</b>	<b>10×10</b>	<b>22</b>	<b>490</b>	<b>22</b>	<b>490</b>	26	490
<b>125</b>	<b>75</b>	<b>12×12</b>	<b>38</b>	<b>540</b>	<b>38</b>	<b>540</b>	36	540
150	75	12×12	38	540	38	540	46	540
200	75	14×14	63	540	63	540	70	540
250	75	14×14	85	560	86	560	96	560
300	100	14×14	110	660	116	660	128	660
350	100	14×14	134	670	142	670	167	670
<b>400</b>	<b>100</b>	<b>14×14</b>	<b>145</b>	<b>680</b>	182	680	212	680
450	100	14×14	194	680	210	680	238	680
<b>500</b>	<b>100</b>	<b>16×16</b>	<b>211</b>	<b>690</b>	237	690	310	690
600	100	16×16	290	690	314	690	372	690
700	100	16×16	382	710	405	710	505	710
800	100	16×16	444	710	485	710	656	710
900	100	18×18	510	730	535	730	800	730
<b>1000</b>	<b>100</b>	<b>18×18</b>	614	740	680	740	<b>519</b>	<b>740</b>
1100	100	18×18	790	750	812	750		
1200	100	18×18	950	780	980	780		
1300	100	18×18	1090	780	1115	780		
1400	100	18×18	1220	800	1270	800		
1500	100	20×20	1440	820				
1600	100	20×20	1670	820				

Technische Änderungen und Irrtümer vorbehalten / technical changes and errors reserve

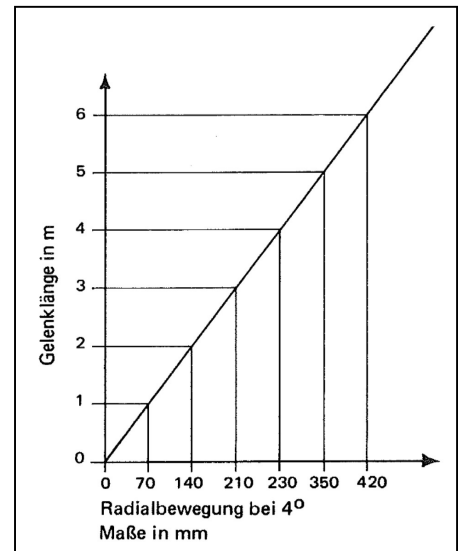
## Rohrgelenke Articulation pieces

### Berechnung:

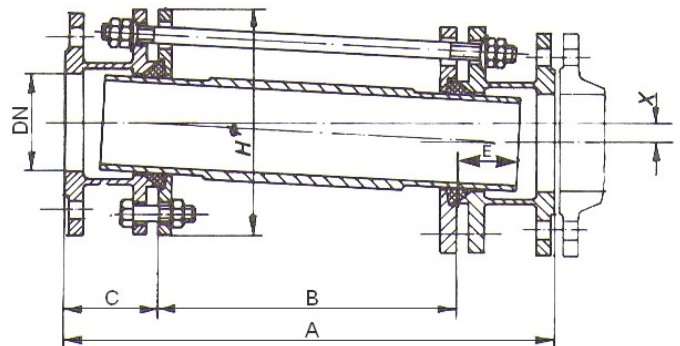
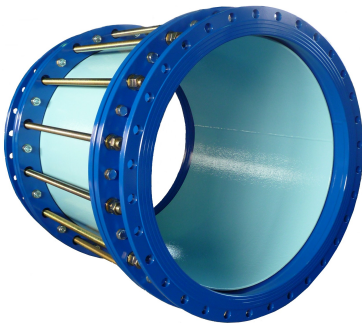
Gesamtlänge **A** = 2 x C + B

Radialbewegung **X** = B x 0,07 ( $\cong \tan 4^\circ$ )

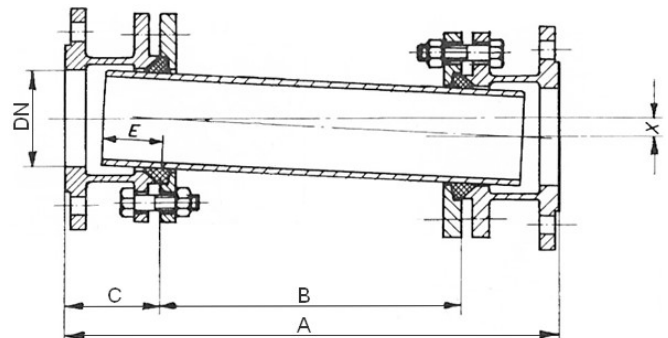
Gelenklänge **B** =  $\frac{X}{0,07 (\cong \tan 4^\circ)}$



### Typ PGV, mit Auszugsicherung Articulation piece type PGV, lockable

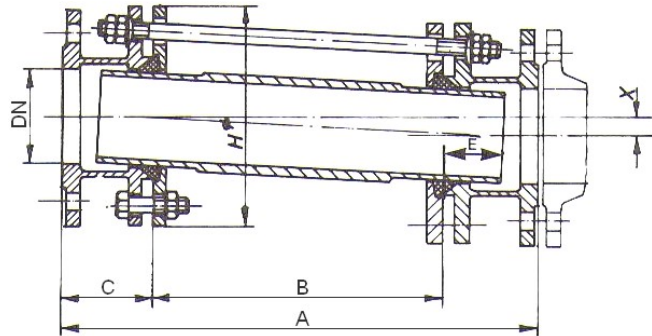
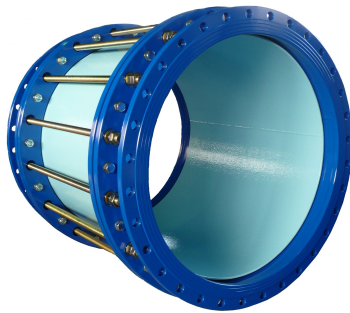


### Typ PG, ohne Auszugsicherung Articulation piece type PG, not lockable



## Rohrgelenk Typ PGV, mit Auszugsicherung

*Articulation piece type PGV, lockable*

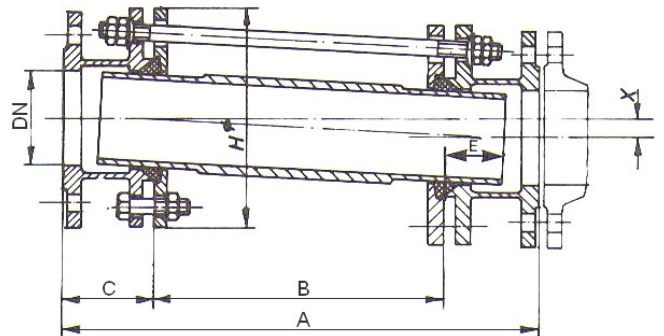
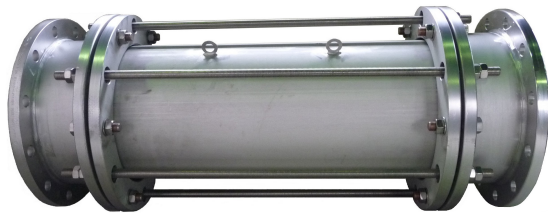


DN	PN 10						Profil
	kg		Maße in mm				
	pro Ansatzstück	pro m Gelenkrohr	C	E	Vestellbarkeit pro Ansatzstück	H Ø	
50	8	3,5	140	70	15	170	P1
65	10	5,5	140	70	15	190	P1
80	12	7	140	70	15	210	P1
100	16	9	140	70	15	235	P2
125	20	13	140	70	15	265	P2
150	26	16	140	70	15	330	P2
200	36	30	140	70	15	355	P2
250	48	40	180	90	15	410	P3
300	56	55	180	90	15	465	P3
<b>350</b>	<b>62</b>	<b>60</b>	<b>180</b>	<b>90</b>	<b>15</b>	<b>510</b>	<b>P3</b>
400	74	100	180	90	15	560	P3
450	80	118	180	90	15	610	P3
500	92	142	180	90	15	660	P3
600	126	162	200	110	15	785	P4
700	160	185	200	110	15	885	P4
800	220	240	200	110	15	1005	P4
900	260	270	200	110	15	1105	P4
1000	320	296	200	110	15	1225	P4
1100	360	380	200	110	15	1325	P4
1200	504	446	250	140	15	1450	P5
1300	600	516	250	140	15	1550	P5
1400	674	625	250	140	15	1657	P5
1500	790	670	250	140	15	1775	P5
1600	884	714	250	140	15	1875	P5

Technische Änderungen und Irrtümer vorbehalten / technical changes and errors reserve

## Rohrgelenk Typ PGV, mit Auszugsicherung

*Articulation piece type PGV, lockable*

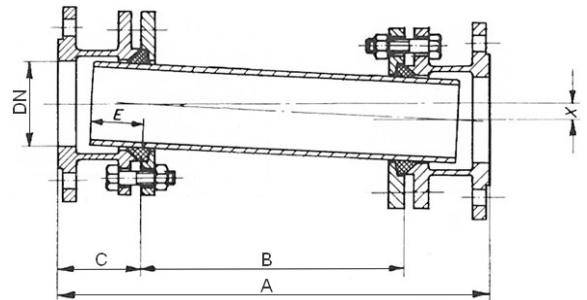


DN	PN 16						Profil
	kg		Maße in mm				
	pro Ansatzstück	pro m Gelenkrohr	C	E	Vestellbarkeit pro Ansatzstück	H Ø	
50	8	3,5	140	70	15	170	P1
65	10	5,5	140	70	15	190	P1
80	12	7	140	70	15	210	P1
100	16	9	140	70	15	235	P2
125	20	13	140	70	15	265	P2
150	26	16	140	70	15	330	P2
200	36	30	140	70	15	355	P2
250	52	40	180	90	15	410	P3
300	67	55	180	90	15	475	P3
350	80	68	180	90	15	520	P3
400	100	100	180	90	15	590	P3
450	120	118	180	90	15	630	P3
500	140	142	180	90	15	690	P3
600	210	178	250	110	15	840	P4
700	260	205	250	110	15	940	P4
800	320	240	250	110	15	1070	P4
900	388	270	250	110	15	1190	P4
1000	485	340	250	110	15	1310	P4
1100	615	375	250	110	15	1430	P4
1200	800	470	300	140	15	1570	P5

Technische Änderungen und Irrtümer vorbehalten / technical changes and errors reserve

## Rohrgelenk Typ PG, ohne Auszugsicherung

*Articulation piece type PG, not lockable*



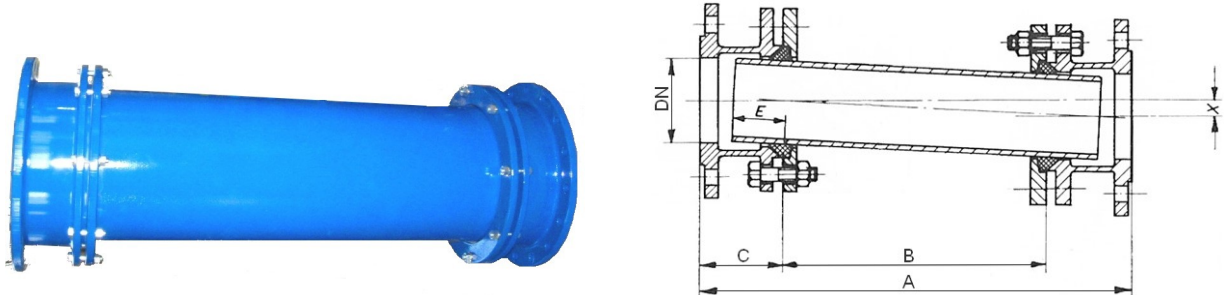
DN	PN 10					Profil
	kg		Maße in mm			
	pro Ansatzstück	pro m Gelenkrohr	C	E	Vestellbarkeit pro Ansatzstück	
50	8	3,5	140	70	15	P1
65	10	5,5	140	70	15	P1
80	11	7	140	70	15	P1
100	15	9	140	70	15	P2
125	18	13	140	70	15	P2
150	22	16	140	70	15	P2
200	32	30	140	70	15	P2
250	42	40	180	90	15	P3
300	50	55	180	90	15	P3
350	60	68	180	90	15	P3
400	65	100	180	90	15	P3
450	70	118	180	90	15	P3
500	80	142	180	90	15	P3
600	116	162	200	110	15	P4
700	140	185	200	110	15	P4
800	180	240	200	110	15	P4
900	202	270	200	110	15	P4
1000	240	296	200	110	15	P4
1100	280	380	200	110	15	P4
1200	362	446	250	140	15	P5
1300	420	516	250	140	15	P5
1400	462	625	250	140	15	P5
1500	506	670	250	140	15	P5
1600	600	714	250	140	15	P5

Technische Änderungen und Irrtümer vorbehalten / technical changes and errors reserve



## Rohrgelenk Typ PG, ohne Auszugsicherung

*Articulation piece type PG, not lockable*



DN	PN 16					Profil
	kg		Maße in mm			
	pro Ansatzstück	pro m Gelenkrohr	C	E	Vestellbarkeit pro Ansatzstück	
50	8	3,5	140	70	15	P1
65	10	5,5	140	70	15	P1
80	11	7	140	70	15	P1
100	15	9	140	70	15	P2
125	18	13	140	70	15	P2
150	22	16	140	70	15	P2
200	32	30	140	70	15	P2
250	42	40	180	90	15	P3
300	50	55	180	90	15	P3
350	66	68	180	90	15	P3
400	76	100	180	90	15	P3
450	84	118	180	90	15	P3
500	100	142	180	90	15	P3
600	140	178	250	110	15	P4
700	160	205	250	110	15	P4
800	194	240	250	110	15	P4
900	252	270	250	110	15	P4
1000	280	340	250	110	15	P4
1100	330	375	250	110	15	P4
1200	420	470	300	140	15	P5

Technische Änderungen und Irrtümer vorbehalten / technical changes and errors reserve

## Übergangsstücke Typ PÜ, nicht feststellbar

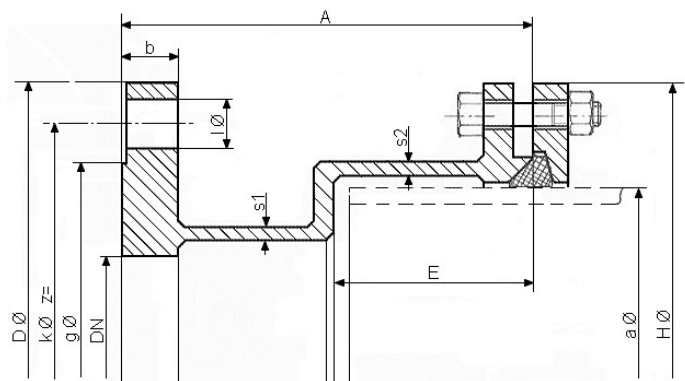
*Transition pieces type PÜ, not lockable*  
 Pièces de transition type PÜ, non-autobuté

Wir verzichten, an dieser Stelle, auf eine Tabelle da es bei diesen Teilen viele Kombinationsmöglichkeiten gibt. Bei Bedarf, teilen Sie uns bitte den Rohr-Außen  $\varnothing$  und DN mit.

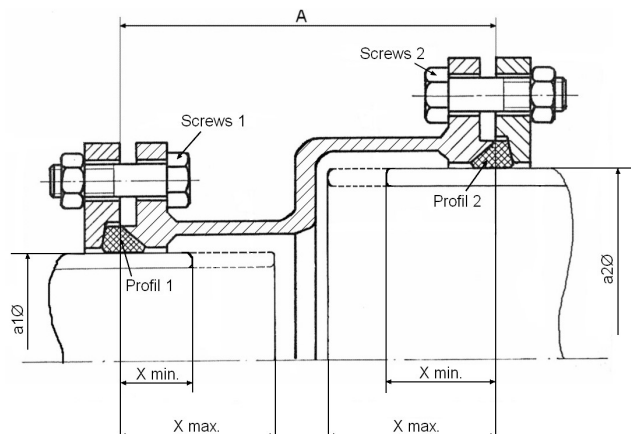
*We do not have the possibility to show you all the different combinations of diameters which can be realised. Please submit us your specific  $\varnothing$  according to your request.*

Nous n'avons, ici, pas la possibilité de vous transmettre de tableau étant donné la quantité énorme de combinaisons possibles. En cas de besoin, veuillez nous communiquer le  $\varnothing$  extérieur du tuyau.

### A. Flanschadapter Typ PÜ, - eine Seite mit Flanschanschluss *Flange adaptor type PÜ* - eine Seite zur Rohraufnahme Adaptateur de bride type PÜ



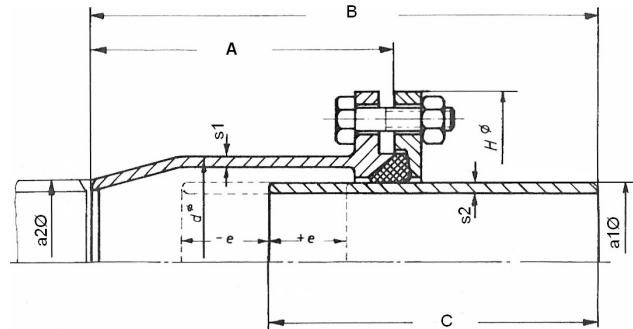
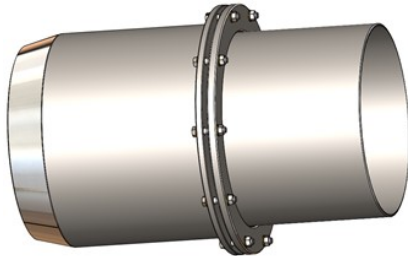
### B. Übergangsstück Typ PÜ, beidseitig zur Rohraufnahme *Transition piece type PÜ* Pièce de transition type PÜ



## Einschweisdehner Typ PD, nicht feststellbar

*Welding expansion piece type PD, not lockable*

*Pièce de dilatation type PD, non-autobuté*



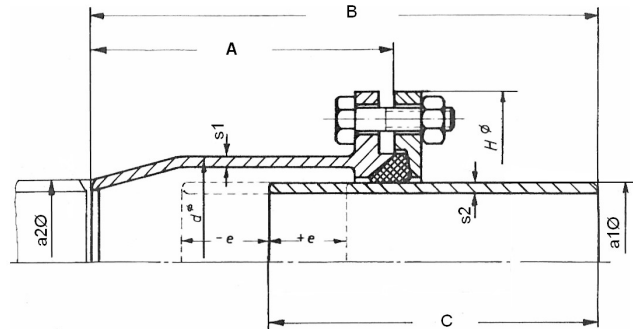
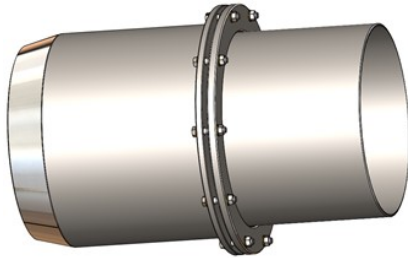
DN	PN 10				Verstellbarkeit +/- e in mm	Profil
	kg	a1Ø bzw. a2Ø	Maß in mm			
			B	H Ø		
50	10		880	160	200	P1
65	13		880	185	200	P1
80	17		880	210	200	P1
100	22		890	225	200	P2
125	24		890	240	200	P2
150	37		890	290	200	P2
200	46		890	330	200	P2
<b>250</b>	<b>85</b>	<b>Ø273x8</b>	<b>900</b>	<b>415</b>	<b>200</b>	<b>P3</b>
<b>300</b>	<b>98</b>	<b>Ø323,9x8</b>	<b>900</b>	<b>460</b>	<b>200</b>	<b>P3</b>
350	103		900	485	200	P3
400	120		960	540	200	P3
450	129		960	585	200	P3
<b>500</b>	<b>133</b>	<b>Ø508x6</b>	<b>960</b>	<b>655</b>	<b>200</b>	<b>P3</b>
<b>600</b>	<b>175</b>	<b>Ø610x6</b>	<b>960</b>	<b>770</b>	<b>200</b>	<b>P4</b>
700	260		960	855	200	P4
800	304		980	960	200	P4
900	340		980	1060	200	P4
1000	375		980	1160	200	P4
1200	468		990	1395	200	P5
<b>1300</b>	<b>646</b>	<b>Ø1320x12</b>	<b>1000</b>	<b>1510</b>	<b>200</b>	<b>P5</b>
<b>1400</b>	<b>619</b>	<b>Ø1420x10</b>	<b>1030</b>	<b>1610</b>	<b>200</b>	<b>P5</b>
<b>1600</b>	<b>713</b>	<b>Ø1624x10</b>	<b>1050</b>	<b>1624</b>	<b>200</b>	<b>P5</b>
1800	1315		1060	2020	200	P5
2000	1490		1110	2220	200	P5

Technische Änderungen und Irrtümer vorbehalten / technical changes and errors reserve

## Einschweisdehner Typ PD, nicht feststellbar

*Welding expansion piece type PD, not lockable*

*Pièce de dilatation type PD, non-autobuté*

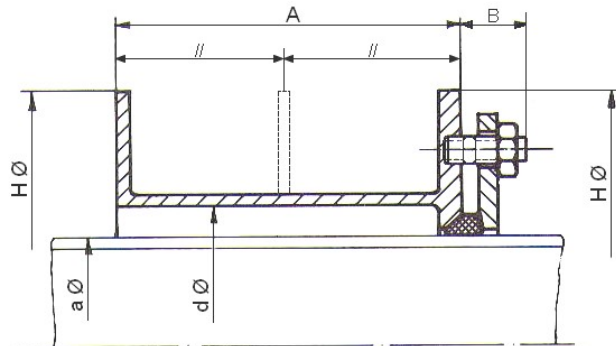
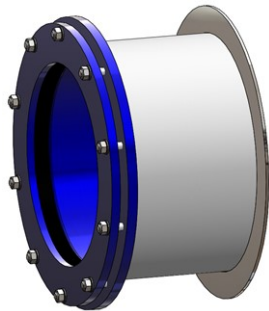


DN	PN 16				Verstellbarkeit +/- e in mm	Profil
	kg	a1Ø bzw. a2Ø	Maß in mm			
			B	H Ø		
50	10		880	160	200	P1
65	13		880	185	200	P1
80	17		880	210	200	P1
100	22		890	225	200	P2
125	24		890	240	200	P2
150	37		890	290	200	P2
200	46		890	330	200	P2
250	68		900	395	200	P3
300	86		900	445	200	P3
350	108		900	485	200	P3
400	130		960	540	200	P3
450	142		960	585	200	P3
500	154		960	635	200	P3
600	233		960	755	200	P4
700	274		960	855	200	P4
800	322		980	960	200	P4
900	394		980	1060	200	P4
1000	436		980	1160	200	P4
<b>1200</b>	<b>524</b>	<b>Ø1220x10</b>	<b>990</b>	<b>1410</b>	<b>200</b>	<b>P5</b>
<b>1300</b>	<b>646</b>	<b>Ø1320x12</b>	<b>1000</b>	<b>1510</b>	<b>200</b>	<b>P5</b>
1400	864		1030	1600	200	P5
1600	1136		1050	1800	200	P5
1800	1530		1060	2020	200	P5
2000	1740		1110	2220	200	P5

Technische Änderungen und Irrtümer vorbehalten / technical changes and errors reserve

## Mauerdurchführung Typ PM 1

Wall duct type PM 1



DN	Maße in mm					kg <sup>2</sup>	Profil
	a Ø <sup>1</sup>		d Ø	H Ø	B		
	DIN	ISO					
50	57	60,3	100,8	210	40	11	P 1
65	76	76,1	113	225	40	12	P 1
80	89	88,9	131,7	240	40	13,5	P 1
100	108	114,3	159,3	265	40	17	P 2
125	133	139,7	182,9	300	40	22	P 2
150	159	168,3	207,3	325	40	26	P 2
200	216	219,1	260,4	375	40	30	P 2
250	267	273	317	430	45	36	P 3
300	318	323,9	367	485	45	44	P 3
350	368	355,6	415	535	45	52	P 3
400	419	406,4	470	590	45	60	P 3
450	470	457,2	520	640	45	68	P 3
500	520	508	570	690	45	74	P 3
600	622	609,6	670	810	55	102	P 4
700	720	711,2	770	910	55	121	P 4
800	820	812,8	873	1015	55	146	P 4
900	920	914,4	973	1115	55	160	P 4
1000	1020	1016	1073	1215	55	175	P 4
1100	1120	1120	1174	1320	55	214	P 4
1200	1220	1220	1274	1435	60	285	P 5
1300	1320	1320	1374	1540	60	320	P 5
1400	1420	1420	1474	1640	60	335	P 5
1500	1520	1520	1574	1740	60	365	P 5

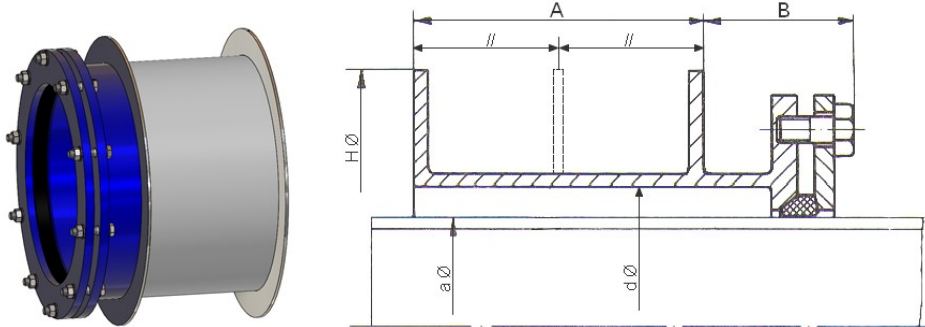
Technische Änderungen und Irrtümer vorbehalten / technical changes and errors reserve

<sup>1</sup> Rohr Ø DIN, ISO oder sonstige nach Angabe

<sup>2</sup> Gewicht gültig bei einer Mauerstärke von 300mm

## Mauerdurchführung Typ PM 2

Wall duct type PM 2



DN	Maße in mm					kg <sup>2</sup>	Profil
	a Ø <sup>1</sup>		d Ø	H Ø	B		
	DIN	ISO					
50	57	60,3	100,8	210	100	12	P 1
65	76	76,1	113	225	100	13	P 1
80	89	88,9	131,7	240	100	15	P 1
100	108	114,3	159,3	265	100	18	P 2
125	133	139,7	182,9	300	100	22	P 2
150	159	168,3	207,3	325	100	26	P 2
200	216	219,1	260,4	375	100	30	P 2
250	267	273	317	430	115	36	P 3
300	318	323,9	367	485	115	44	P 3
350	368	355,6	415	535	115	55	P 3
400	419	406,4	470	590	115	60	P 3
450	470	457,2	520	640	115	64	P 3
500	520	508	570	690	115	70	P 3
600	622	609,6	670	810	140	110	P 4
700	720	711,2	770	910	140	130	P 4
800	820	812,8	873	1015	140	154	P 4
900	920	914,4	973	1115	140	172	P 4
1000	1020	1016	1073	1215	140	190	P 4
1100	1120	1120	1174	1320	140	230	P 4
1200	1220	1220	1274	1435	165	292	P 5
1300	1320	1320	1374	1540	165	332	P 5
1400	1420	1420	1474	1640	165	350	P 5
1500	1520	1520	1574	1740	165	370	P 5

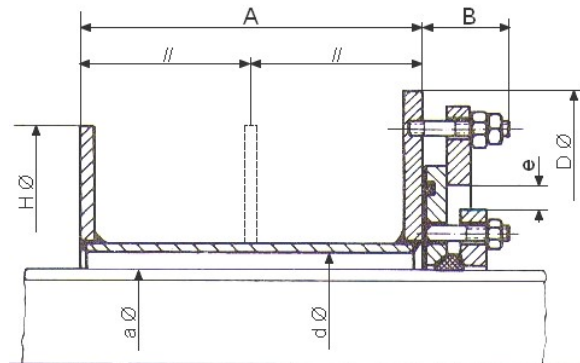
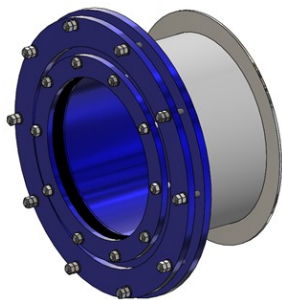
Technische Änderungen und Irrtümer vorbehalten / technical changes and errors reserve

<sup>1</sup> Rohr Ø DIN, ISO oder sonstige nach Angabe

<sup>2</sup> Gewicht gültig bei einer Mauerstärke von 300mm

## Mauerdurchführung Typ PM 3

### Wall duct type PM 3



DN	Maße in mm							kg <sup>2</sup>	Profil
	a Ø <sup>1</sup>		d Ø	H Ø	D Ø	B	max. radiale Verstellbarkeit e		
	DIN	ISO							
50	57	60,3	100,8	210	320	60	15	24	P 1
65	76	76,1	113	225	335	60	15	26	P 1
80	89	88,9	131,7	240	350	60	15	31	P 1
100	108	114,3	159,3	265	385	60	15	36	P 2
125	133	139,7	182,9	300	410	60	15	40	P 2
150	159	168,3	207,3	325	435	60	15	44	P 2
200	216	219,1	260,4	375	490	60	15	55	P 2
250	267	273	317	430	580	65	20	75	P 3
300	318	323,9	367	485	630	65	20	90	P 3
350	368	355,6	415	535	675	65	20	100	P 3
400	419	406,4	470	590	725	65	20	110	P 3
450	470	457,2	520	640	775	65	20	120	P 3
500	520	508	570	690	825	65	20	130	P 3
600	622	609,6	670	810	980	80	20	220	P 4
700	720	711,2	770	910	1080	80	20	250	P 4
800	820	812,8	873	1015	1180	80	20	285	P 4
900	920	914,4	973	1115	1280	80	20	315	P 4
1000	1020	1016	1073	1215	1380	80	20	345	P 4
1100	1120	1120	1174	1320	1480	80	20	390	P 4
1200	1220	1220	1274	1435	1635	90	25	562	P 5
1300	1320	1320	1374	1540	1735	90	25	602	P 5
1400	1420	1420	1474	1640	1835	90	25	642	P 5
1500	1520	1520	1574	1740	1935	90	25	685	P 5

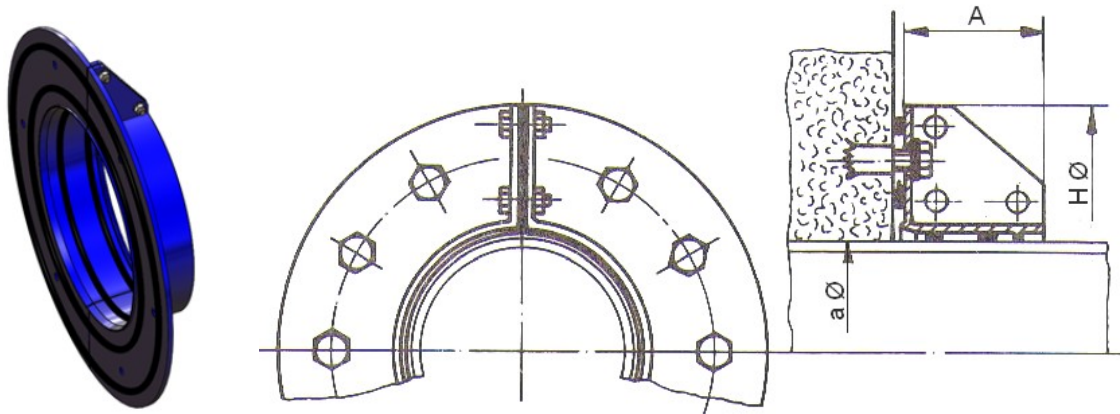
Technische Änderungen und Irrtümer vorbehalten / technical changes and errors reserve

<sup>1</sup> Rohr Ø DIN, ISO oder sonstige nach Angabe

<sup>2</sup> Gewicht gültig bei einer Mauerstärke von 300mm

## Mauerdurchführung Typ PM 4

Wall duct type PM 4



DN	Maße in mm				kg	Anzahl Dübel
	a Ø <sup>1</sup>		A	H Ø		
	DIN	ISO				
50	57	60,3	130	360	13	4
65	76	76,1	130	375	14	4
80	89	88,9	130	390	15	4
100	108	114,3	130	410	16	6
125	133	139,7	130	435	17	6
150	159	168,3	130	460	18	6
200	216	219,1	130	515	20	6
250	267	273	130	565	21	6
300	318	323,9	130	625	24	6
350	368	355,6	130	670	31	6
400	419	406,4	130	725	34	8
450	470	457,2	130	775	36	8
500	520	508	130	825	40	8
600	622	609,6	130	920	46	10
700	720	711,2	130	1020	50	10
800	820	812,8	130	1120	65	12
900	920	914,4	130	1230	78	12
1000	1020	1016	130	1330	84	16
1100	1120	1120	130	1430	92	16
1200	1220	1220	130	1530	98	16
1300	1320	1320	130	1630	108	20
1400	1420	1420	130	1730	112	20
1500	1520	1520	130	1830	122	20

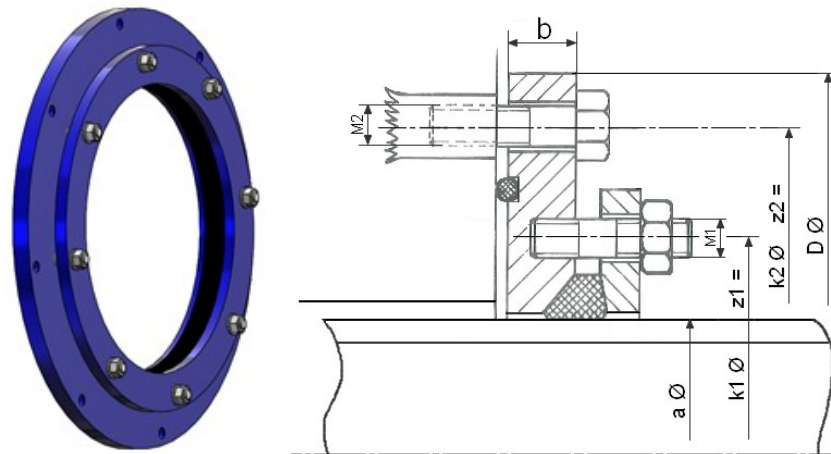
Technische Änderungen und Irrtümer vorbehalten / technical changes and errors reserve

<sup>1</sup> Rohr Ø DIN, ISO oder sonstige nach Angabe



## Mauerdurchführung Typ PM 5

Wall duct type PM 5



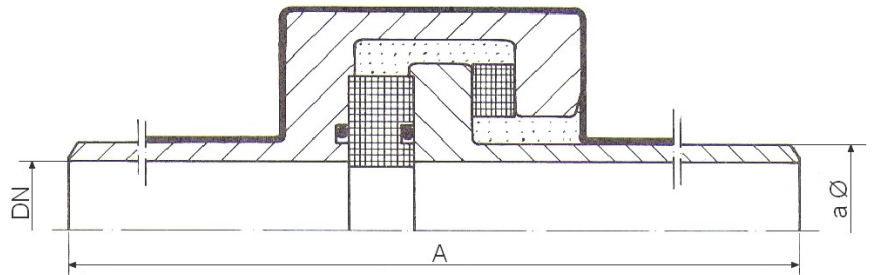
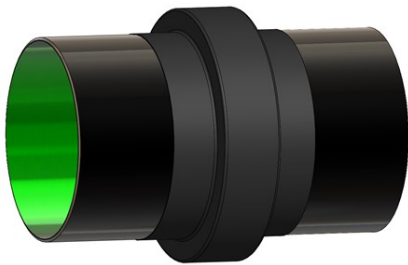
Wir verzichten, an dieser Stelle, auf eine Tabelle da es bei diesen Teilen viele Kombinationsmöglichkeiten gibt. Bei Bedarf, teilen Sie uns bitte den Rohr-Außen Ø mit.

*We do not have the possibility to show you all the different combinations of diameters which can be realised. Please submit us your specific Ø according to your request.*

Nous n'avons, ici, pas la possibilité de vous transmettre de tableau étant donné la quantité énorme de combinaisons possibles. En cas de besoin, veuillez nous communiquer le Ø extérieur du tuyau.

## Isolierstück Typ PIK

*Electrical cut-off piece type PIK*

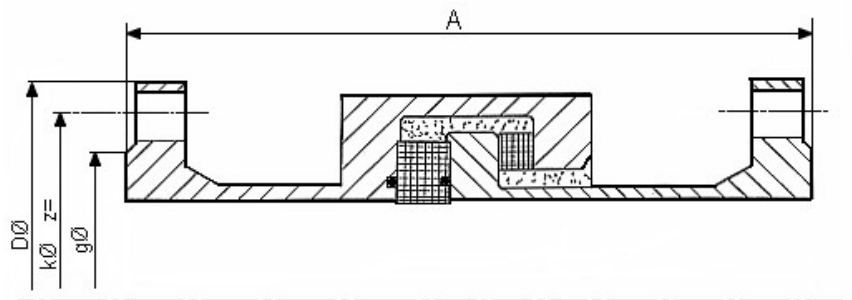


Nennweite		a Ø	Nenndruck								
			10-16 ANSI 150		25		40 ANSI 300		70 ANSI 400		
Zoll	mm	Maße in mm			kg	Maße in mm		kg	Maße in mm		kg
3"	80	88,9	500	11	700		700		700		
<b>4"</b>	<b>100</b>	<b>114,3</b>	<b>500</b>	<b>13</b>	700		700		700		
5"	125	139,7	500	17	700		700		700		
6"	150	168,3	500	23	700		700		700		
8"	200	219,1	500	36	700		700		700		
10"	250	273	700	51	700		700		700		
<b>12"</b>	<b>300</b>	<b>323,9</b>	<b>700</b>	<b>61</b>	700		700		700		
14"	350	355,6	700	70	700		700		700		
<b>16"</b>	<b>400</b>	<b>406,4</b>	<b>700</b>	<b>83</b>	700		700		700		
18"	450	457,2	700	103							
<b>20"</b>	<b>500</b>	<b>508</b>	<b>700</b>	<b>126</b>							
<b>24"</b>	<b>600</b>	<b>609,6</b>	<b>1000</b>	<b>202</b>							
28"	700	711,2	1000	256							
<b>32"</b>	<b>800</b>	<b>812,8</b>	<b>1000</b>	<b>282</b>							
36"	900	914,4	1200	358							
40"	1000	1016	1200	415							

Technische Änderungen und Irrtümer vorbehalten / technical changes and errors reserve

## Isolierstück Typ PIK-F

*Electrical cut-off piece type PIK-F*



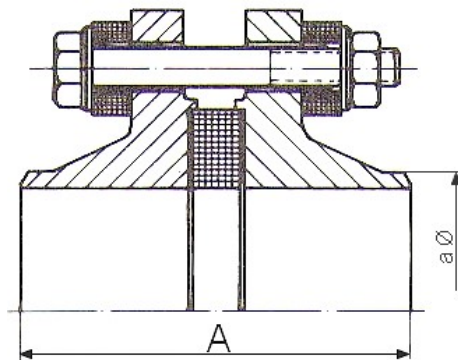
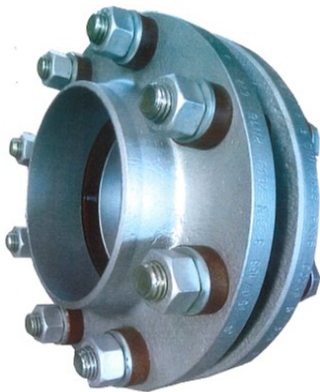
Es handelt sich hier um die gleiche Ausführung wie bei dem Typ PIK, jedoch mit beidseitigem Flanschanschluss. Die Länge A und das Gewicht ändern sich je nach gewähltem Flanschanschluss. Bei Bedarf, teilen Sie uns bitte die Nennweite und den Nenndruck mit.

*It is the same construction as our type PIK, but with flanges on both sides.. The length A as well as the weight of the piece depends on the chosen flanges. Please submit us your specific Ø and working pressure requested.*

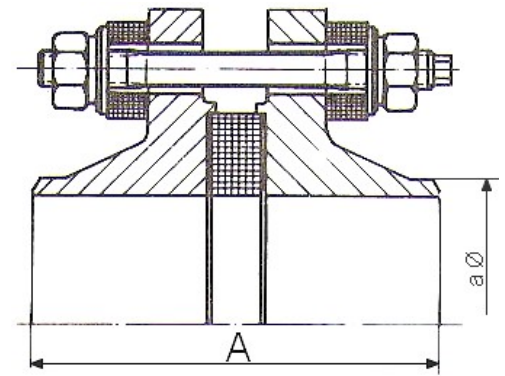
Il s'agit ici de la même construction que le type PIK avec néanmoins une bride à chaque extrémité. La longueur A et le poids dépendent des brides choisies. En cas de besoin, veuillez nous communiquer le Ø et la pression souhaités.

## Isolierflanschpaar Typ PI

*Electrical cut-off piece type PI*



Ausführung 1  
Standardausführung



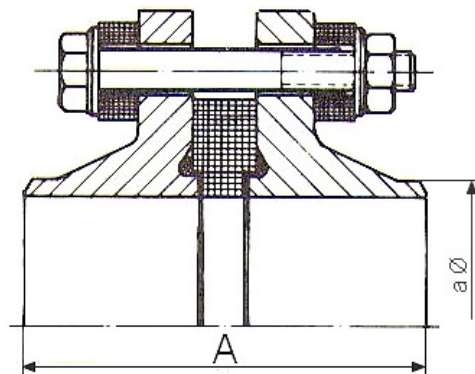
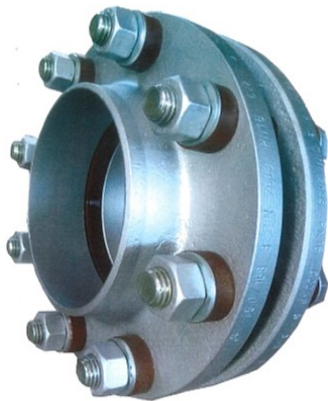
Ausführung 2  
gemäß der TB 249 1 Ausf. A

DN	a Ø		PN 10			PN 16			PN 25		
	DIN	ISO	kg	A	Ausführung	kg	A	Ausführung	kg	A	Ausführung
50	57	60,3	6,5	107	1+2	6,5	107	1+2	8	113	1+2
65	76,1	76,1	8	107	1+2	8	107	1+2	10	121	1+2
80	88,9	88,9	9	117	1+2	9	117	1+2	12	133	1+2
100	108	114,3	12	121	1+2	12	121	1+2	16	147	1+2
125	133	139,7	16	127	1+2	16	127	1+2	24	153	1+2
150	159	168,3	19	127	1+2	19	127	1+2	28	167	1+2
200	216	219,1	28	141	1+2	28	141	1+2	42	177	1+2
250	267	273	37	153	1+2	40	157	1+2	62	193	1+2
300	318	323,9	41	153	1+2	52	173	1+2	80	201	1+2
350	368	355,6	50	153	1+2	70	181	1+2	115	217	1+2
400	419	406,4	64	161	1+2	90	187	1+2	152	237	1+2
450	470	457,2	74	161	1+2	120	187	1+2	180	244	1+2
500	521	508	86	167	1+2	150	197	1+2	215	264	1+2
600	622	609,6	105	177	1+2	180	207	1+2	260	264	1+2
700	720	711,2	144	177	1	190	214	1	334	264	3
800	820	812,8	197	187	1	260	224	3	480	284	3
900	920	914,4	238	207	1	312	234	3	602	304	3
1000	1020	1016	281	207	1	410	252	3	802	322	3

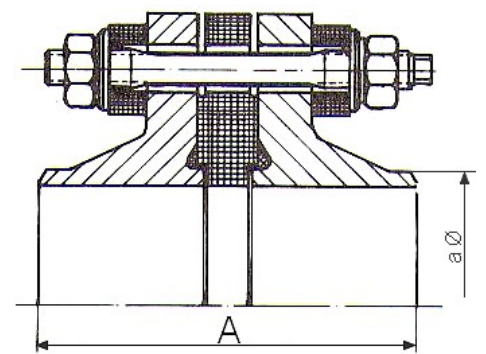
Technische Änderungen und Irrtümer vorbehalten / technical changes and errors reserve

## Isolierflanschpaare Typ PI

*Electrical cut-off piece type PI*



Ausführung 3  
mit Rundschnurdichtung



Ausführung 4  
mit Rundschnurdichtung und hochgezogenem  
Isolerring für hohen Nenndruck, ab PN64

DN	a Ø		PN 40			PN 64			PN 100		
	DIN	ISO	kg	A	Ausführung	kg	A	Ausführung	kg	A	Ausführung
50	57	60,3	8	113	1	12	140	4	16	152	4
65	76,1	76,1	10	121	1	16	152	4	24	168	4
80	88,9	88,9	12	133	1	18	156	4	27	172	4
100	108	114,3	16	147	1	28	170	4	40	194	4
125	133	139,7	22	153	1	42	190	4	62	224	4
150	159	168,3	28	167	1	60	204	4	85	244	4
200	216	219,1	55	193	1	100	234	4	140	274	4
250	267	273	88	224	3	134	264	4	208	328	4
300	318	323,9	122	244	3	180	294	4	320	354	4
350	368	355,6	168	264	3	245	314	4	440	392	4
400	419	406,4	240	284	3	320	334	4			
450	470	457,2	273	284	3						
500	521	508	300	294	3						

Technische Änderungen und Irrtümer vorbehalten / technical changes and errors reserve